

SARGENT® 351 DOOR CLOSER WITH DOUBLE LEVER ARM (OP) INSTALLATION INSTRUCTIONS

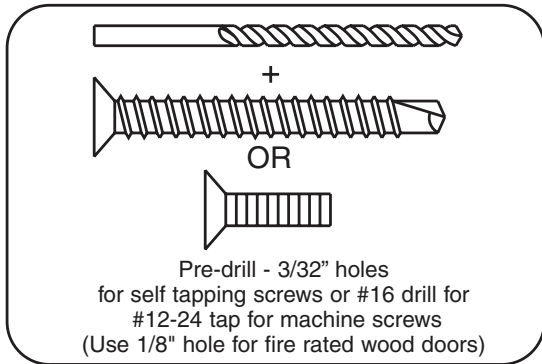
Strength Adjustable From Size 1 Thru 6

CAUTION: FAILURE TO INSTALL OR ADJUST PROPERLY MAY RESULT IN INJURY OR DAMAGE

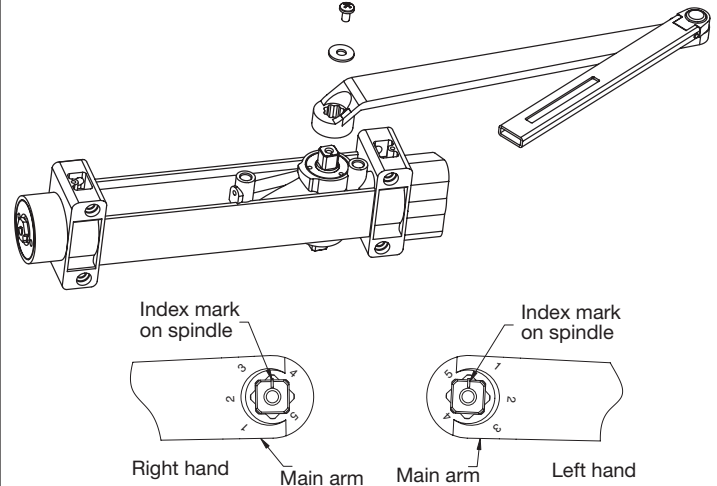
Auxiliary door stop required

FOR ASSISTANCE, CALL SARGENT AT 1-800-727-5477 or www.sargentlock.com

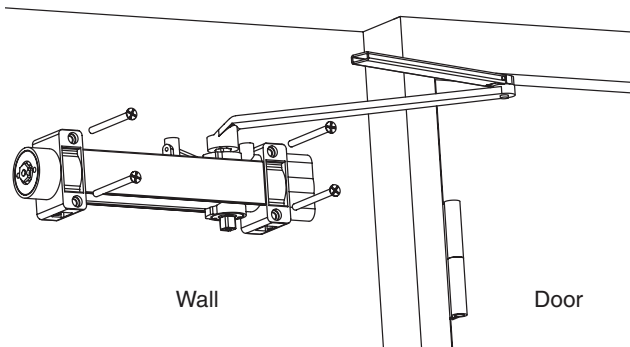
Step 1: Use template on page 3 to drill and tap door and wall for 12-24 machine screws or pre-drill when using self tapping screws provided. See page 2 for when using mortise nuts



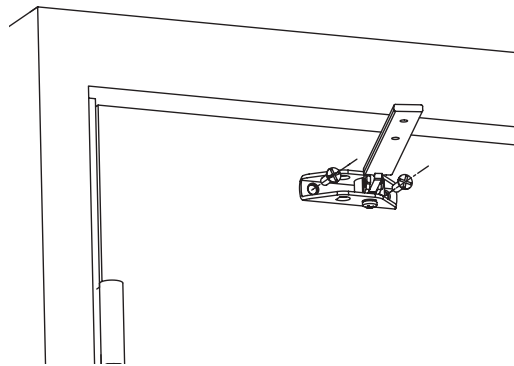
Step 2: Attach arm with index mark on spindle as shown. Secure with washer and screw.



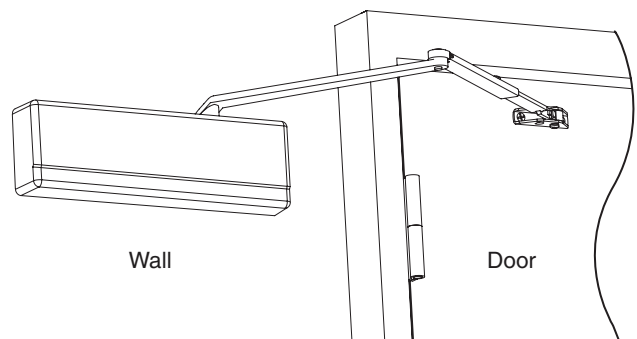
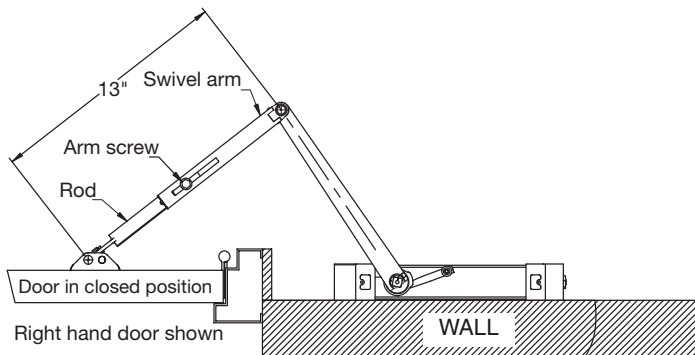
Step 3: Secure door closer to the wall using screws provided with spring power adjustment nut facing away from hinge.



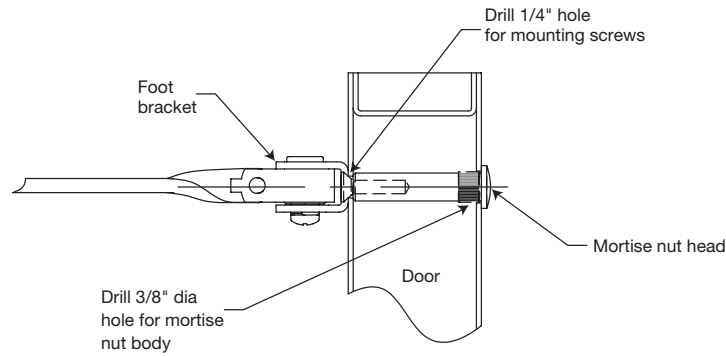
Step 4: Secure foot bracket to door using screw provided.



Step 5: Insert rod end into swivel arm and adjust length as shown. Then tighten arm screw.



Optional Mortise Nut Installation



Adjusting Closing Speeds

Closing and latching speeds:

Turn valves clockwise to slow down or counterclockwise to speed up door movement.

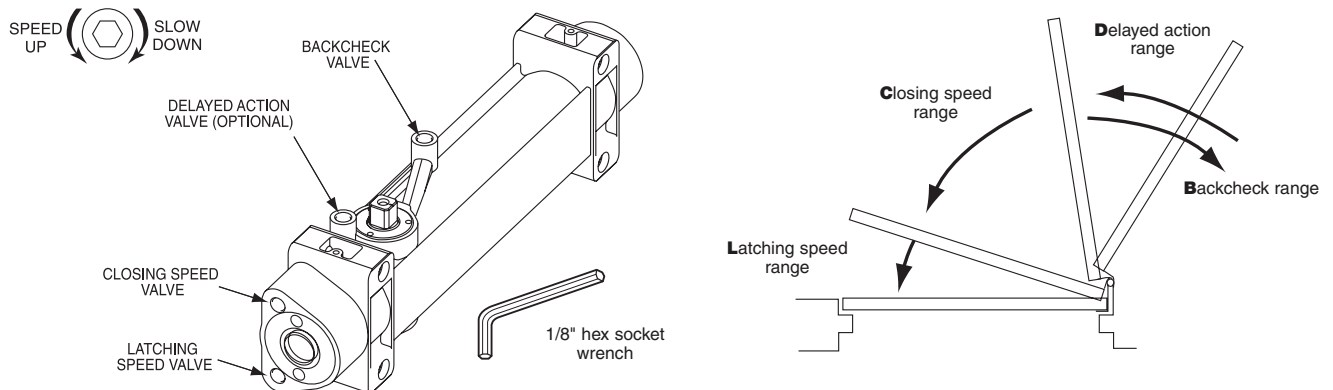
Backcheck:

Turn valve clockwise to increase or counterclockwise to decrease.

CAUTION: SET VALVE FOR SLIGHT CUSHIONING EFFECT. CLOSER CAN BE DAMAGED IF THE CHECKING ACTION IS TOO ABRUPT. NEVER USE THE BACKCHECK AS A DOOR STOP. ALWAYS USE A DOOR STOP TO STOP THE DOOR.

Delayed action feature (optional feature):

When provided, turn valve clockwise to slow down or counterclockwise to speed up door movement.



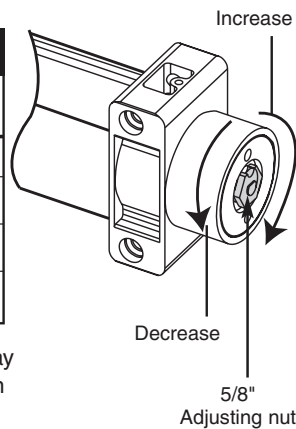
Adjusting Closing Power

- Increase closing force to achieve proper door latching.
- Decrease closing force if the door is difficult to open.

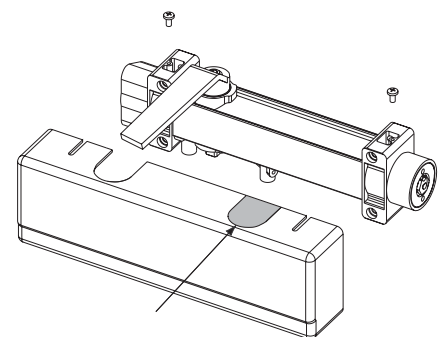
INSTALLATION GUIDE

Number of Turns of Spring Power Adjusting Nut		
Door Width (Inches)	Exterior Doors	Interior Doors
24-30	TURN nut 1-3 ↶	TURN nut 1-3 ↶
30-36	FACTORY SET	FACTORY SET
36-42	TURN nut 1-4 ↷	TURN nut 1-3 ↷
42-48	TURN nut 7-9 ↷	TURN nut 4-6 ↷

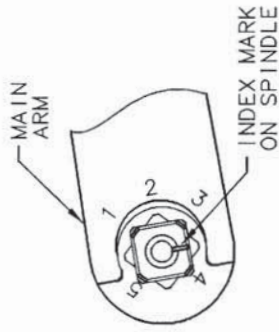
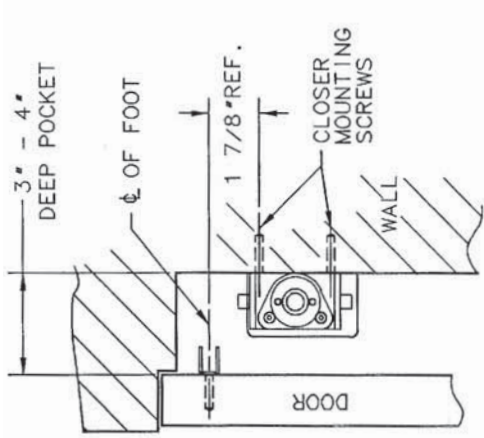
Adjusting door to close due to high draft conditions may exceed ADA standards. Consult local ordinances when fire doors are involved.



Install cover as shown.

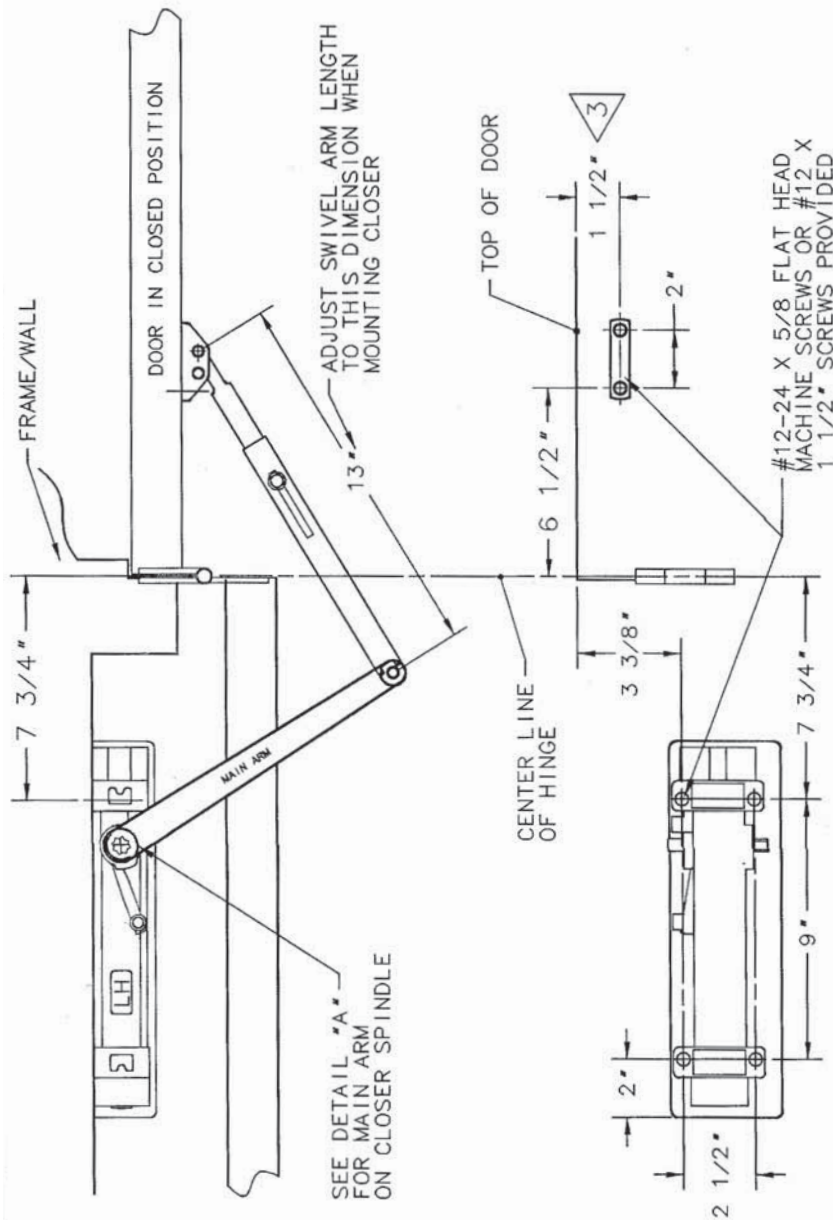


Insert is removable.
Place in unused opening.



INDEXING OF MAIN ARM ON CLOSER SPINDLE

DETAIL A



DOOR CLOSER IS MOUNTED ON WALL

NOTES

1. 12 GAUGE MIN. REINFORCEMENT REQUIRED FOR METAL DOORS AND FRAMES/WALLS.
2. RIGHT HAND DOOR SHOWN, LEFT HAND OPPOSITE

SARGENT Manufacturing Company
100 Sargent Drive New Haven, CT 06511

DATA SHEET:	EFFECTIVE DATE
351-OP WALL POCKET	10 AUG 05
DOOR CLOSER INSTALLATION	TEMPLATE NO. A7414 B

SARGENT® 351 DOOR CLOSER WITH TRACK TYPE ARM (OTP) INSTALLATION INSTRUCTIONS

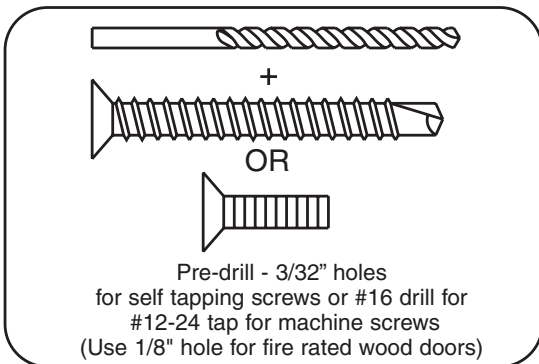
Strength Adjustable From Size 1 Thru 6

CAUTION: FAILURE TO INSTALL OR ADJUST PROPERLY MAY RESULT IN INJURY OR DAMAGE

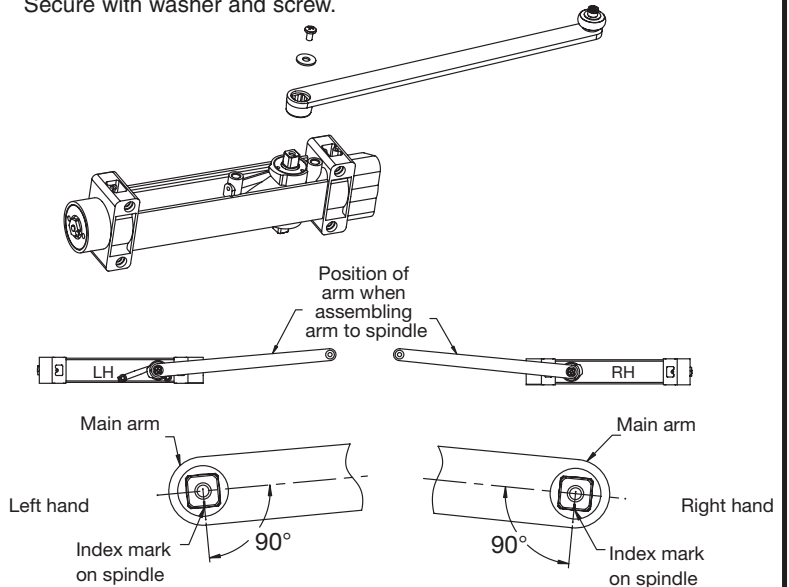
Auxiliary door stop required

FOR ASSISTANCE, CALL SARGENT AT 1-800-727-5477 or www.sargentlock.com

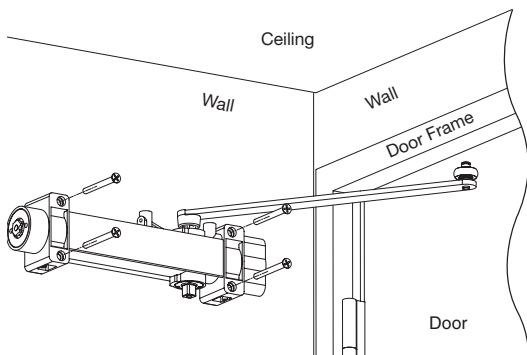
Step 1: Use template on page 3 to drill and tap door and wall for 12-24 machine screws or predrill when using self tapping screws provided. See page 2 for when using mortise nuts



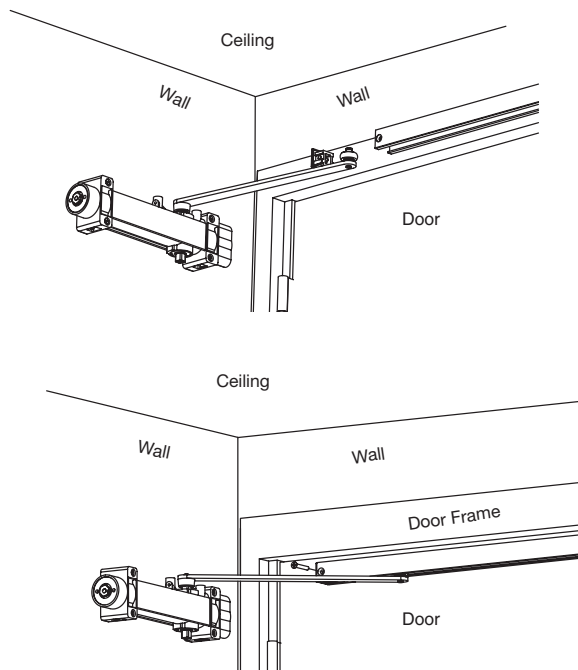
Step 2: Attach arm with index mark on spindle as shown. Secure with washer and screw.



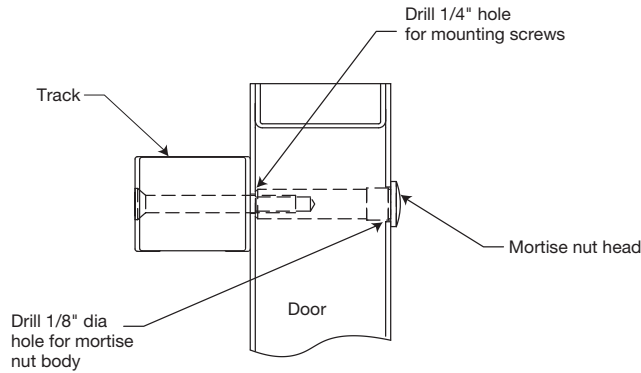
Step 3: Secure door closer to wall using screws provided with spring power facing away from hinge.



Step 4: Insert roller into track. Insert end caps and secure track to door with screws provided.



Optional: Mortise nut installation



Adjusting Closing Speeds

Closing and latching speeds:

Turn valves clockwise to slow down or counterclockwise to speed up door movement.

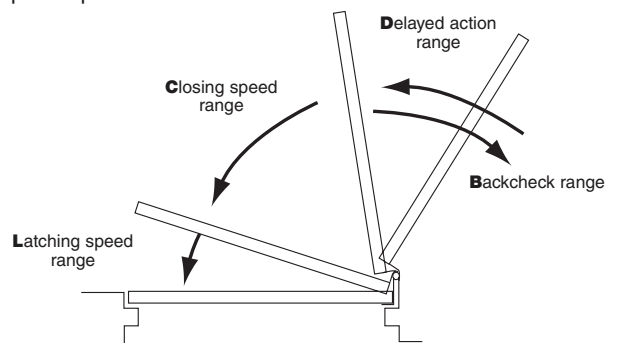
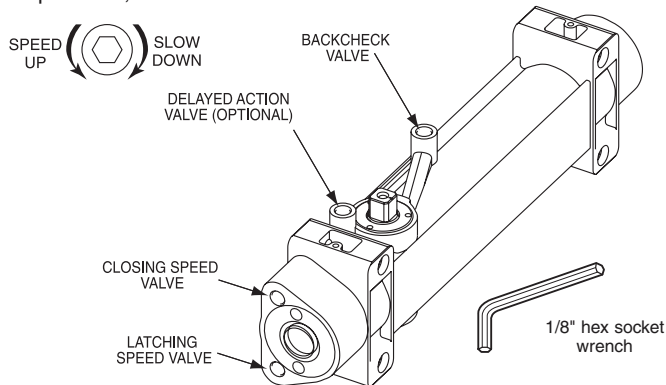
Backcheck:

Turn valve clockwise to increase or counterclockwise to decrease.

CAUTION: SET VALVE FOR SLIGHT CUSHIONING EFFECT. CLOSER CAN BE DAMAGED IF THE CHECKING ACTION IS TOO ABRUPT. NEVER USE THE BACKCHECK AS A DOOR STOP. ALWAYS USE A DOOR STOP TO STOP THE DOOR.

Delayed action feature (optional feature):

When provided, turn valve clockwise to slow down or counterclockwise to speed up door movement.



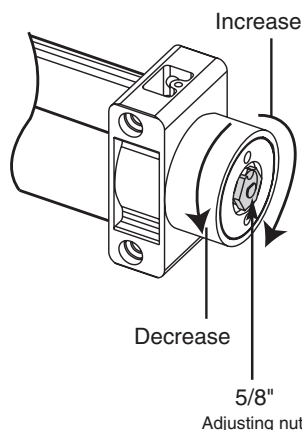
Adjusting Closing Power

- Increase closing force to achieve proper door latching.
- Decrease closing force if the door is difficult to open.

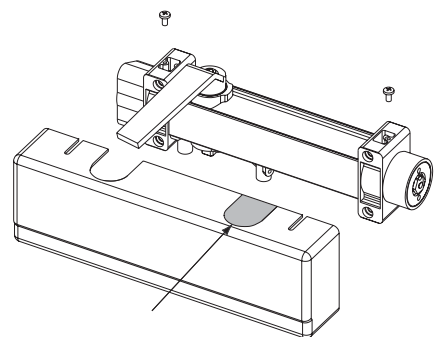
INSTALLATION GUIDE

Number of Turns of Spring Power Adjusting Nut		
Door Width (Inches)	Exterior Doors	Interior Doors
24-30	TURN nut 1-3 ↺	TURN nut 1-3 ↺
30-36	FACTORY SET	FACTORY SET
36-42	TURN nut 1-4 ↻	TURN nut 1-3 ↻
42-48	TURN nut 7-9 ↻	TURN nut 4-6 ↻

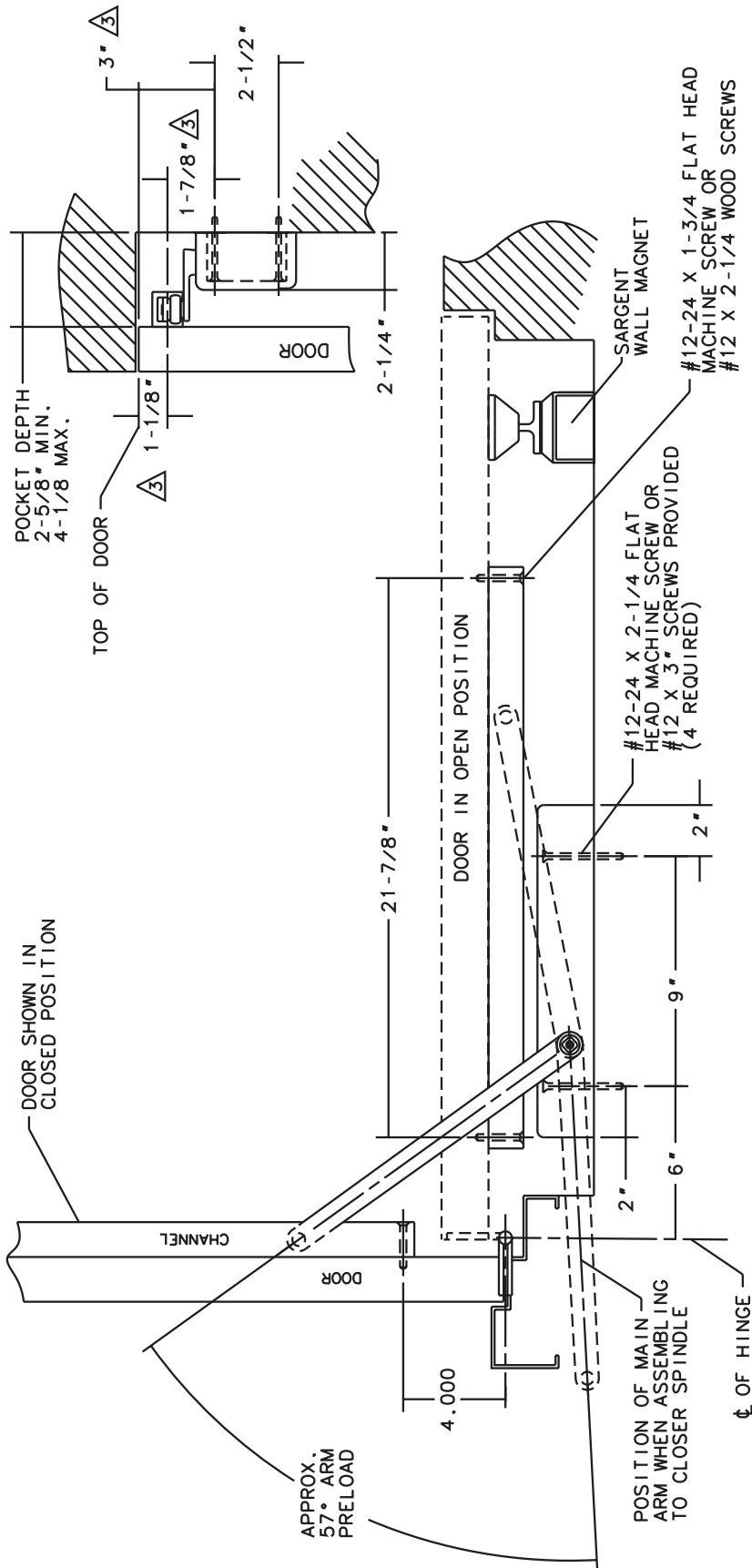
Adjusting door to close due to high draft conditions may exceed ADA standards. Consult local ordinances when fire doors are involved.



Install cover as shown.



Insert is removable. Place in unused opening.



NOTES:

1. REINFORCE METAL DOORS & FRAMES PER ANSI A250.8 AND SDI STANDARDS, 12 GAUGE RECOMMENDED.
2. RIGHT HAND DOOR SHOWN, LEFT HAND OPPOSITE
3. CLOSER AND CHANNEL MAY BE LOWERED ON DOOR AND WALL TO SUIT SPECIFIC CONDITIONS PROVIDING THAT THE RELATIVE POSITION OF THE CLOSER AND CHANNEL REMAINS THE SAME.

SARGENT® Manufacturing Company
100 Sargent Drive New Haven, CT 06511

DATA SHEET:

351-0TP SERIES DOOR CLOSER
WITH BUTT HINGES AND
SARGENT WALL MAGNET

EFFECTIVE DATE

10 AUG 05

TEMPLATE NO.

A7631 A