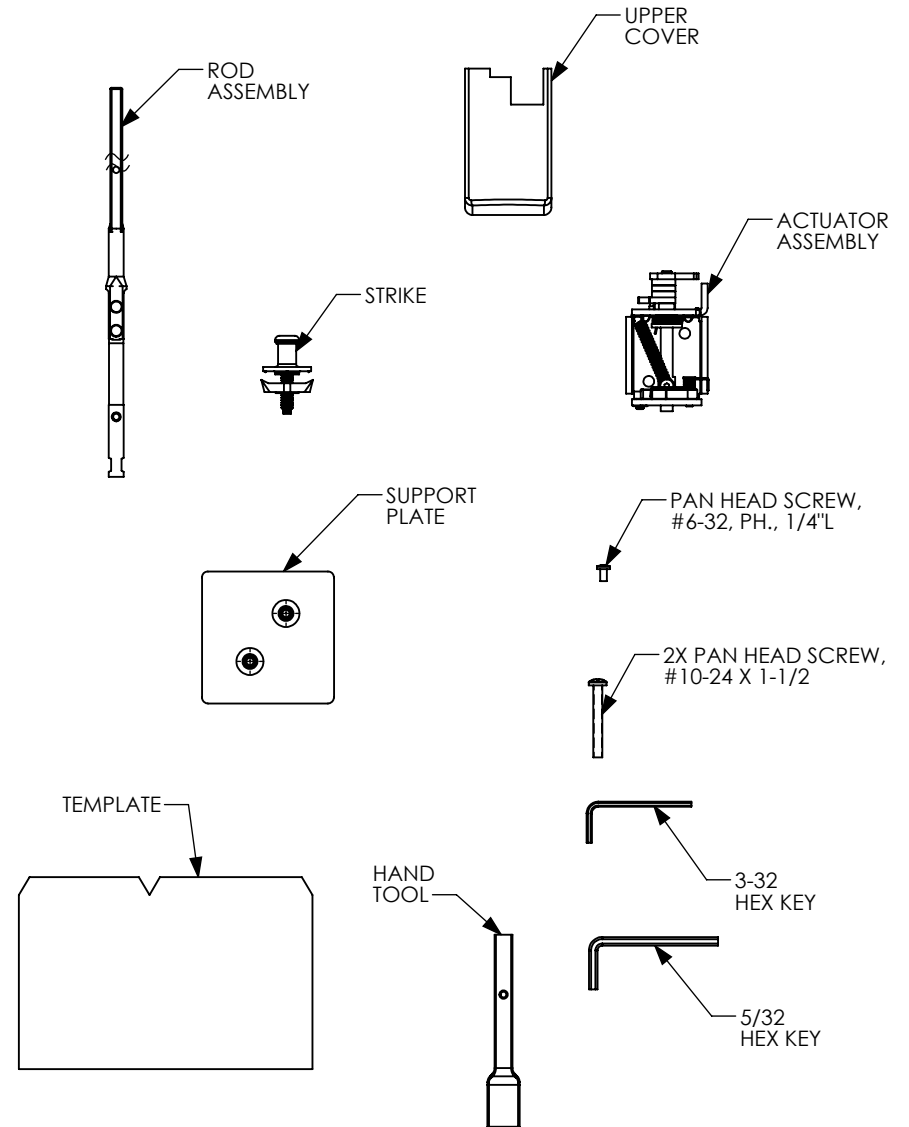


PRODUCT COMPONENTS



NOTE 1: This product is made for a 1 3/4" door thickness.

NOTE 2: Product must be installed according to all applicable building and life safety codes.

INSTALLING THE ROD ASSEMBLY

1. LAY rod assembly on top of door.
2. CENTER indicated edge of rod along the top edge of large bored hole as shown in Figure 1.

NOTE 1: For doors shorter than 7 feet tall, the threaded rod should be cut to avoid bottoming out in the female end.

NOTE 2: For doors taller than 8 feet, it will be necessary to specify this during ordering in order to receive the correct tall door kit.

3. ROTATE and UNTHREAD rod until top square bolt is approximately 1.04" below top of door.

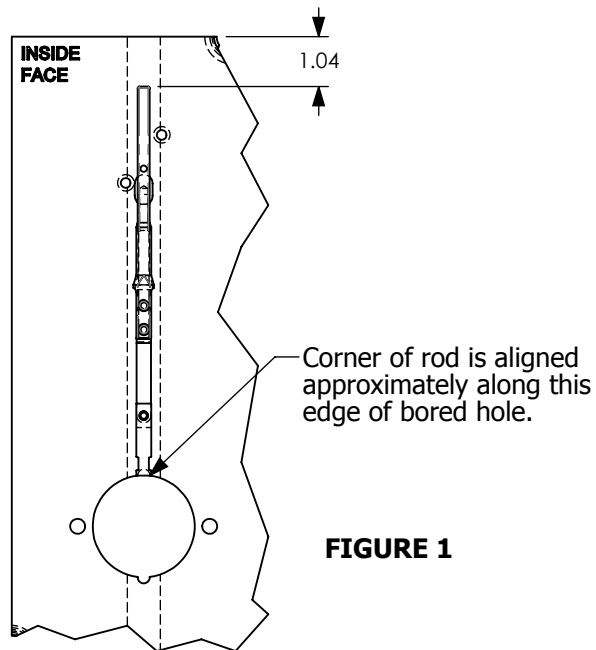


FIGURE 1

4. INSERT entire rod assembly through the opening in the top of the door (Figure 2).

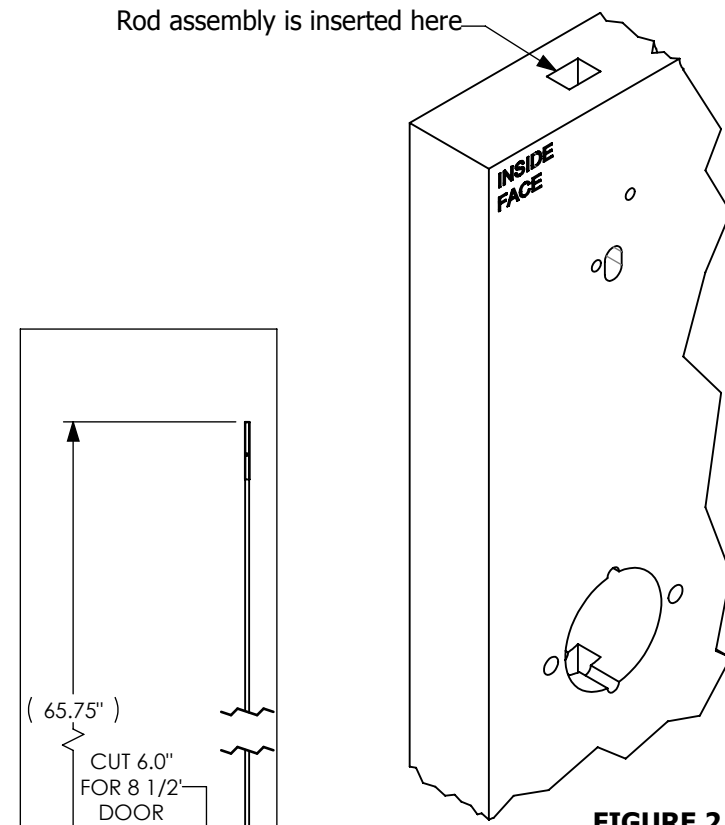


FIGURE 2

**Tall door kit
example to modify
for an 8 1/2 " door.**

INSTALLING THE ACTUATOR

1. Using the supplied adjustment tool, ADJUST the upper rod assembly by turning the square shaft clockwise to lower or counterclockwise to raise.
2. ADJUST until the hole on the square shaft aligns with the center of the slotted hole as shown in Figure 3.
3. LEAVE the adjustment tool in place.

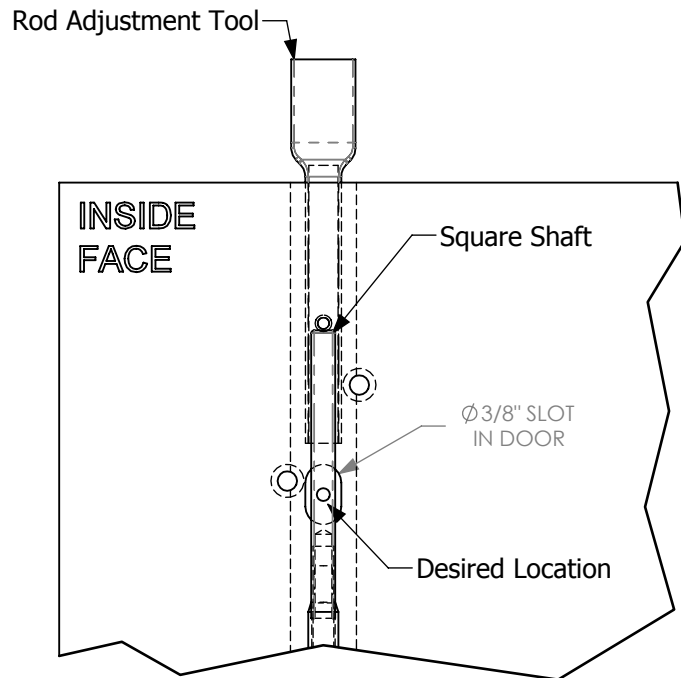


FIGURE 3

4. ENSURE that the upper latch yoke is turned to the *LOCKED* position as shown in Figure 4.
5. INSTALL the top actuator to the door by first fastening the rod attachment screw to the square shaft of the vertical rod using the 3/32" hex key.
6. REMOVE the adjustment tool and MOUNT the actuator to the door with the support plate and two (2) #10-24 X 1 1/2" pan head screws as shown in Figure 4.
7. SLIDE cover onto the actuator and SECURE with a #6-32 X 1/4" pan head screw as shown in Figure 4.

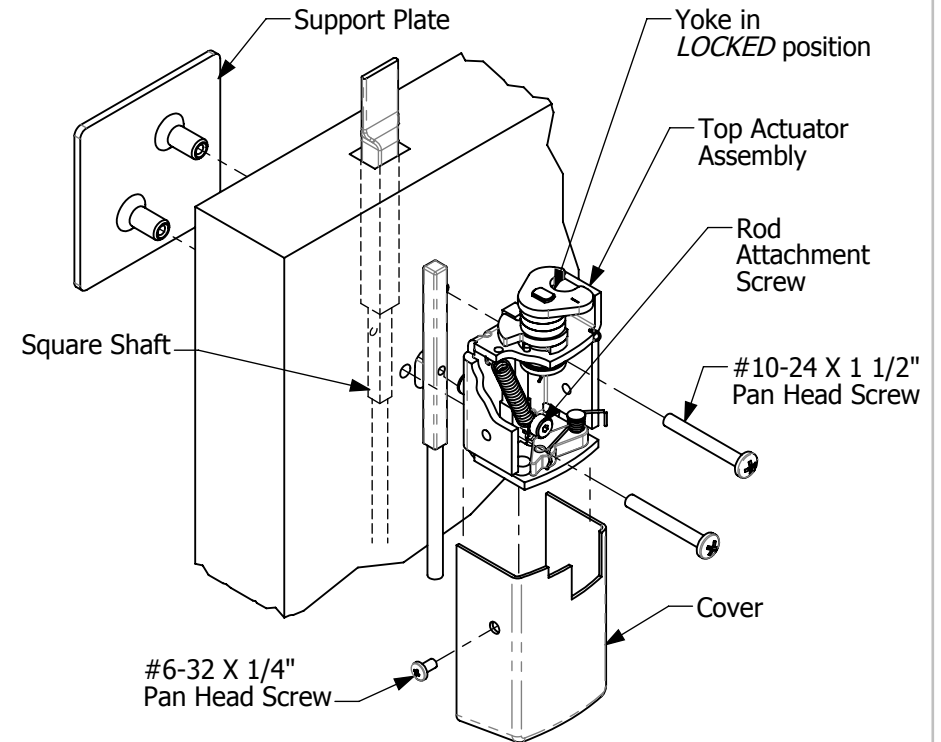
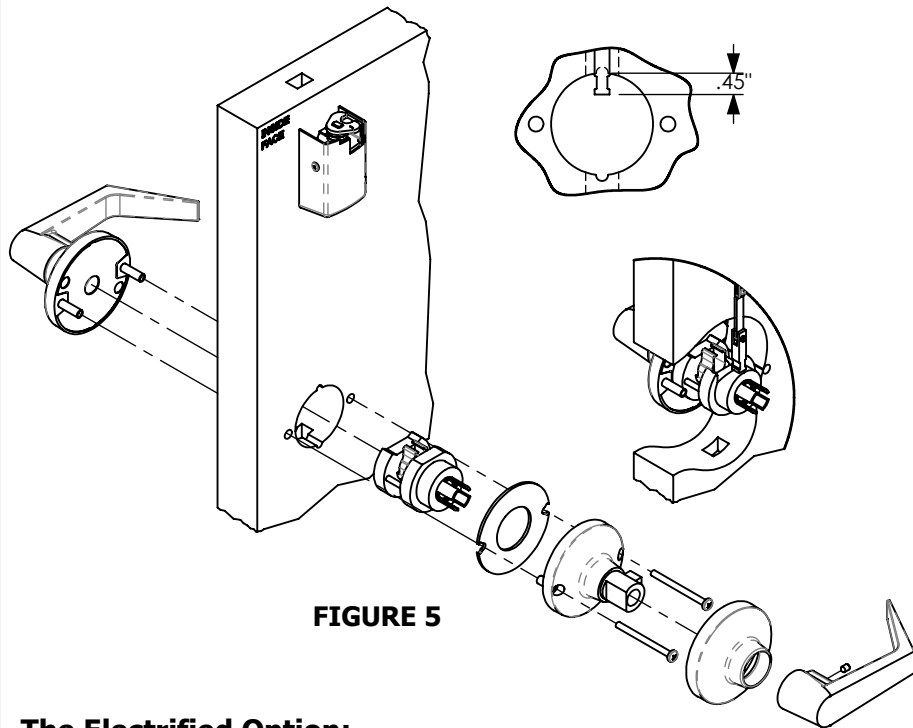


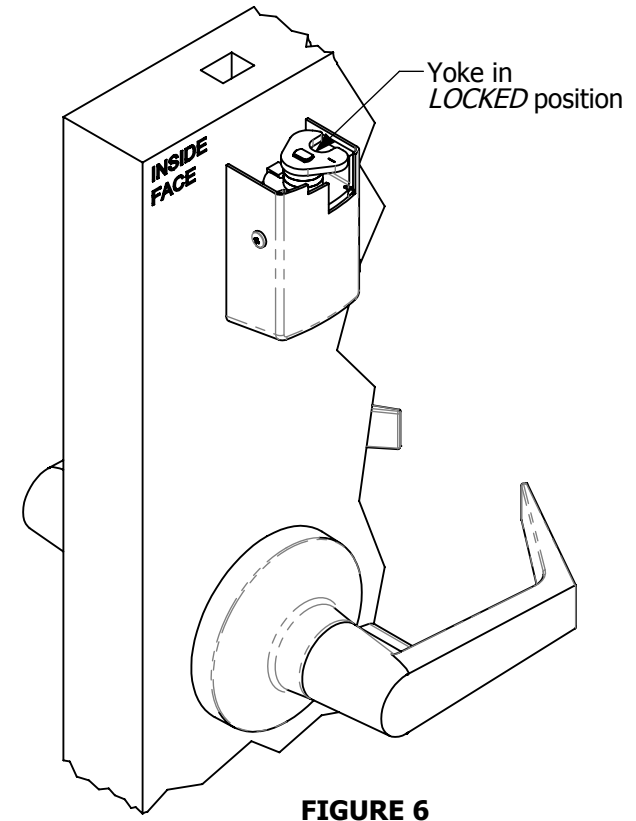
FIGURE 4

INSTALLING THE TRIM

1. ENSURE top latch is in the *LOCKED* position before installing the lever set.
2. ADJUST dove tail shaft to expose .44" in the large bored hole opening, as shown in Figure 5.
3. INSTALL the lever set by inserting the dove tail shaft through the lever trim retractor, and ENSURE that the latch release is in the range of 45–55° lever rotation, and not sooner.
4. LOWER dove tail shaft, if necessary.



5. EXAMINE complete operation by rotating upper latch yoke to the *LOCKED* position, as shown in Figure 6, then RELEASE lever from both inside and outside the door.



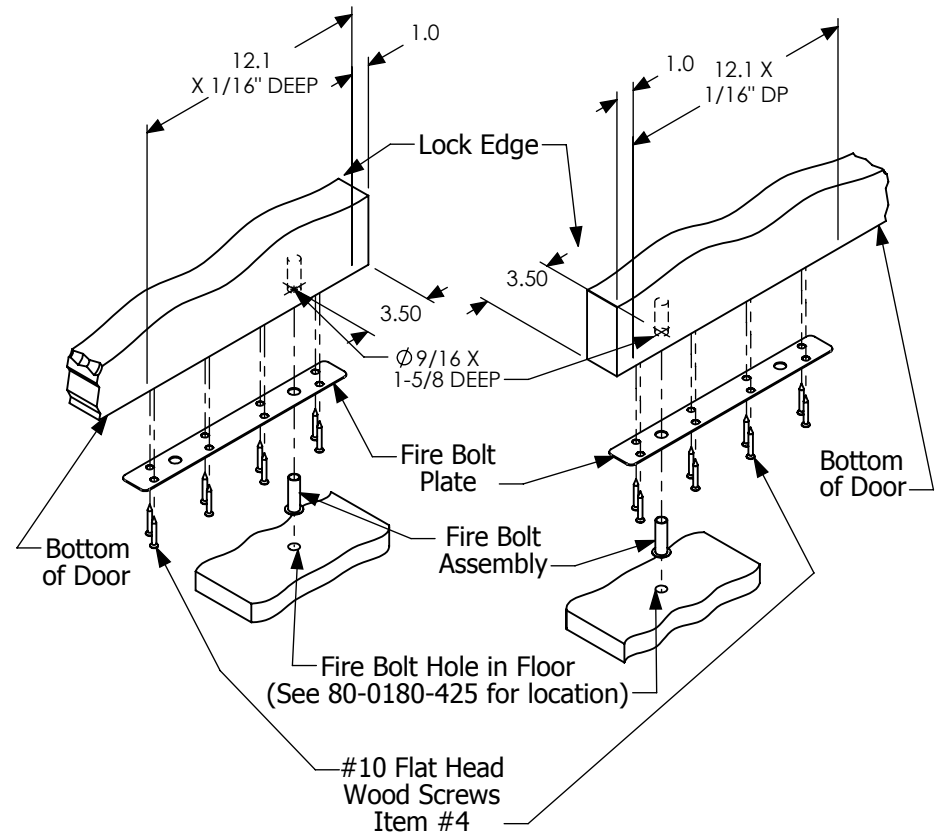
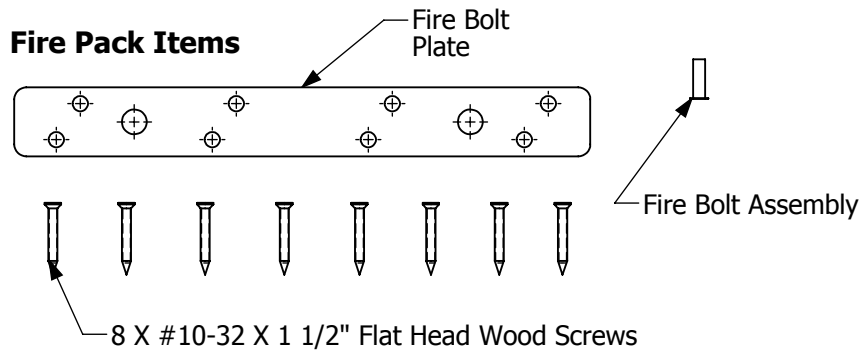
The Electrified Option:

12 Volts Alternating Current (VAC)/Volts Direct Current (VDC) ± 1 VAC/VDC at 250 milliamperes (mA)

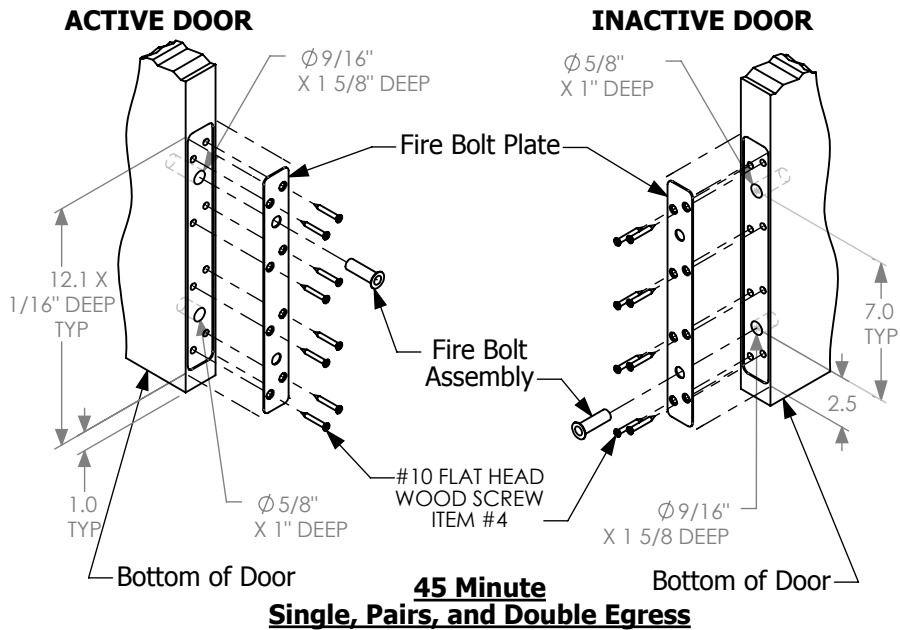
24 VAC/VDC ± 1 VAC/VDC at 150 mA

INSTALLING THE FIRE PACK

1. MOUNT the fire bolt plate using eight (8) #10-32 X 1 1/2" flat head wood screws.
2. INSERT fire bolt assembly by striking squarely with a hammer.



**60 and 90 Minute
Single, Pairs, and Double Egress**



NOTE: No fire bolt is required for 20-minute doors