

# SARGENT® 351 DOOR CLOSER WITH TRACK TYPE ARM (OTP) INSTALLATION INSTRUCTIONS

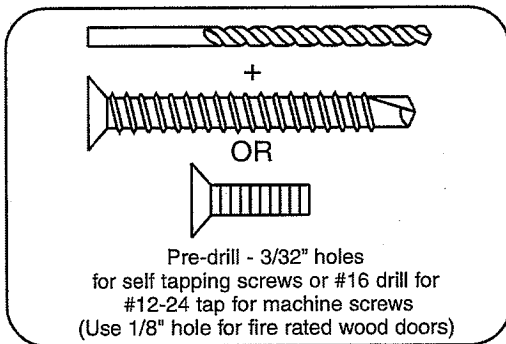
Strength Adjustable From Size 1 Thru 6

**CAUTION: FAILURE TO INSTALL OR ADJUST PROPERLY MAY RESULT IN INJURY OR DAMAGE**

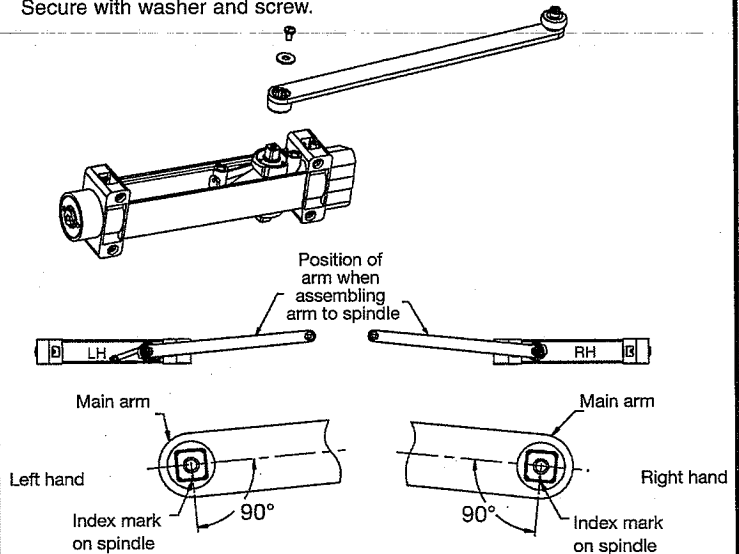
Auxiliary door stop required

FOR ASSISTANCE, CALL SARGENT AT 1-800-727-5477 or [www.sargentlock.com](http://www.sargentlock.com)

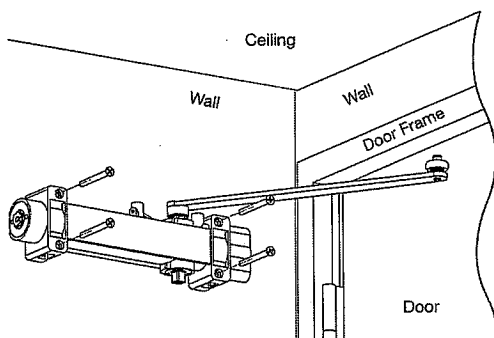
**Step 1:** Use template on page 3 to drill and tap door and wall for 12-24 machine screws or pre-drill when using self tapping screws provided. See page 2 for when using mortise nuts



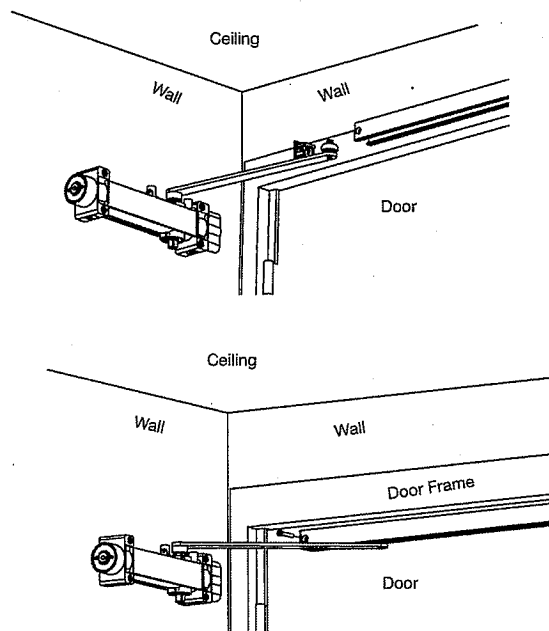
**Step 2:** Attach arm with index mark on spindle as shown. Secure with washer and screw.



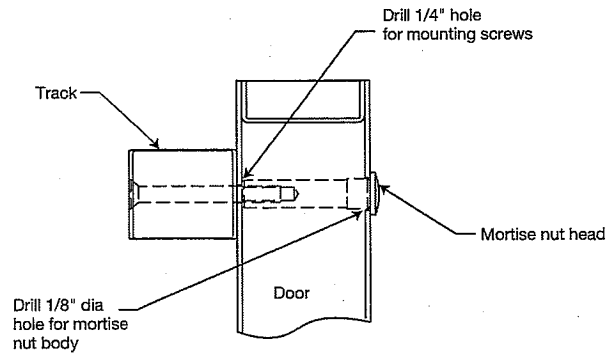
**Step 3:** Secure door closer to wall using screws provided with spring power facing away from hinge.



**Step 4:** Insert roller into track. Insert end caps and secure track to door with screws provided.



**Optional: Mortise nut installation**



**Adjusting Closing Speeds**

**Closing and latching speeds:**

Turn valves clockwise to slow down or counterclockwise to speed up door movement.

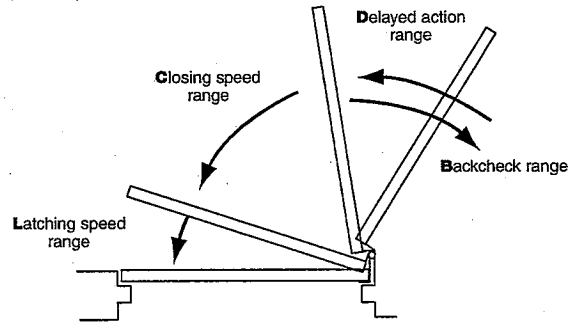
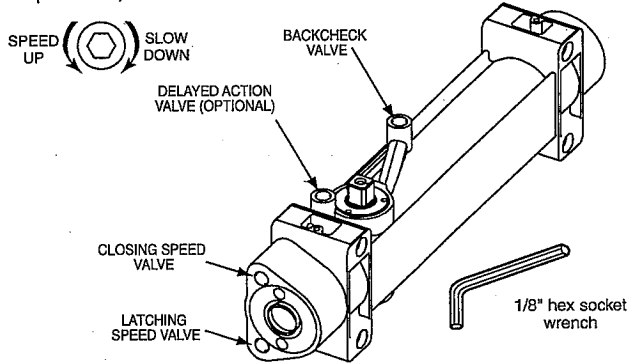
**Backcheck:**

Turn valve clockwise to increase or counterclockwise to decrease.

**CAUTION: SET VALVE FOR SLIGHT CUSHIONING EFFECT. CLOSER CAN BE DAMAGED IF THE CHECKING ACTION IS TOO ABRUPT. NEVER USE THE BACKCHECK AS A DOOR STOP. ALWAYS USE A DOOR STOP TO STOP THE DOOR.**

**Delayed action feature (optional feature):**

When provided, turn valve clockwise to slow down or counterclockwise to speed up door movement.



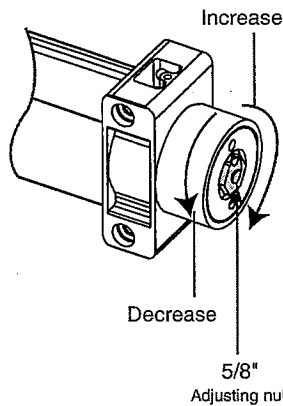
**Adjusting Closing Power**

- Increase closing force to achieve proper door latching.
- Decrease closing force if the door is difficult to open.

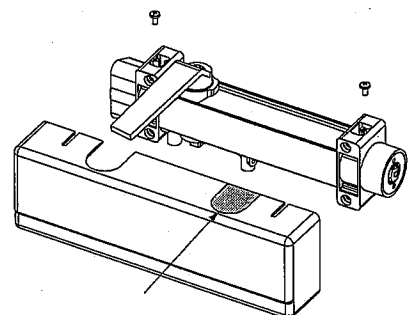
**INSTALLATION GUIDE**

Number of Turns of Spring Power Adjusting Nut		
Door Width (Inches)	Exterior Doors	Interior Doors
24-30	TURN nut 1-3 ( )	TURN nut 1-3 ( )
30-36	FACTORY SET	FACTORY SET
36-42	TURN nut 1-4 ( )	TURN nut 1-3 ( )
42-48	TURN nut 7-9 ( )	TURN nut 4-6 ( )

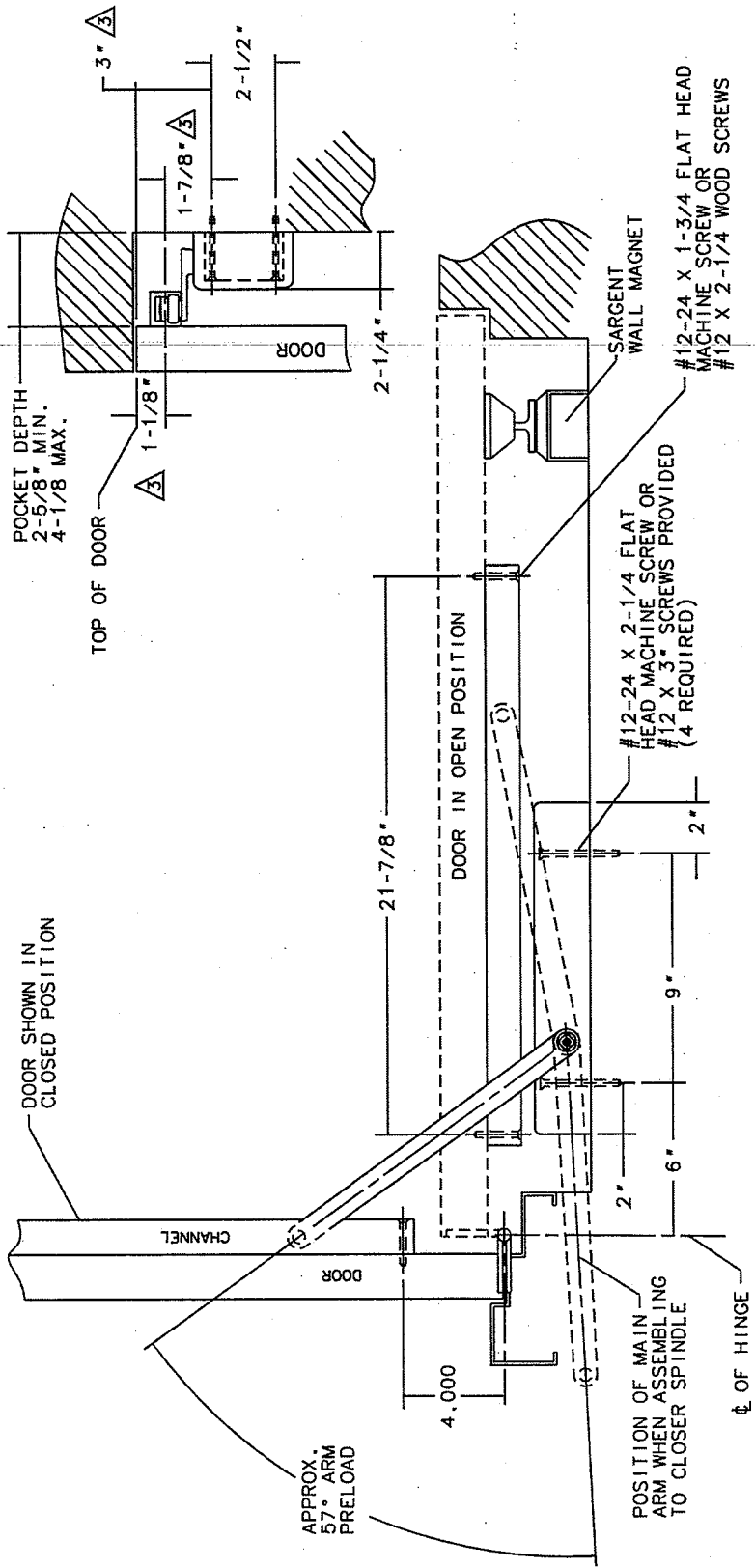
Adjusting door to close due to high draft conditions may exceed ADA standards. Consult local ordinances when fire doors are involved.



**Install cover as shown.**



Insert is removable. Place in unused opening.



NOTES:

1. REINFORCE METAL DOORS & FRAMES PER ANSI A250.8 AND SDI STANDARDS, 12 GAUGE RECOMMENDED.
2. RIGHT HAND DOOR SHOWN, LEFT HAND OPPOSITE
3. CLOSER AND CHANNEL MAY BE LOWERED ON DOOR AND WALL TO SUIT SPECIFIC CONDITIONS PROVIDING THAT THE RELATIVE POSITION OF THE CLOSER AND CHANNEL REMAINS THE SAME.

<b>SARGENT<sup>®</sup> Manufacturing Company</b> 100 Sargent Drive New Haven, CT 06611	
DATA SHEET: 351-OTP SERIES DOOR CLOSER WITH BUTT HINGES AND SARGENT WALL MAGNET	EFFECTIVE DATE 10 AUG 05 TEMPLATE NO. A7631 A