

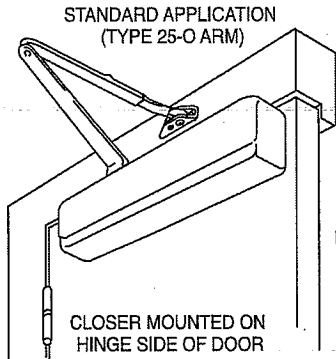
MODEL 351 POWERGLIDE SERIES INSTRUCTIONS FOR INSTALLING SARGENT DOOR CLOSERS WITH REGULAR ARMS (WITHOUT HOLDER)

SARGENT® ASSA ABLOY

351 SERIES NON SIZED ADJUSTABLE SIZES 1 THRU 6
CAUTION: FAILURE TO INSTALL OR ADJUST PROPERLY MAY RESULT IN INJURY OR DAMAGE.
FOR ASSISTANCE, CALL SARGENT AT 1-800-727-5477.



1 STANDARD & TOP JAMB APPLICATIONS



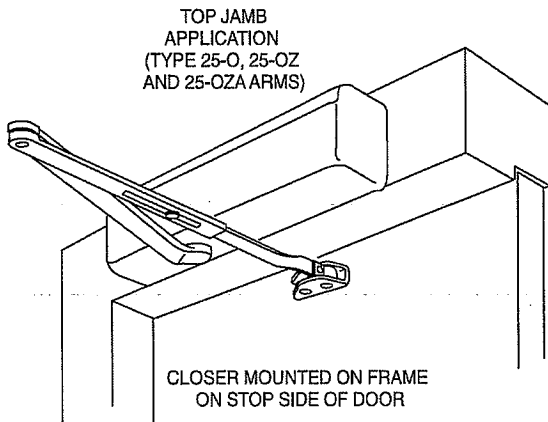
USE
PAGE 2

CLOSER MOUNTED ON
HINGE SIDE OF DOOR

NOTE: FOR 08 AND OLC TYPE ARMS MOUNTING
SEE DATA SHEETS ENCLOSED

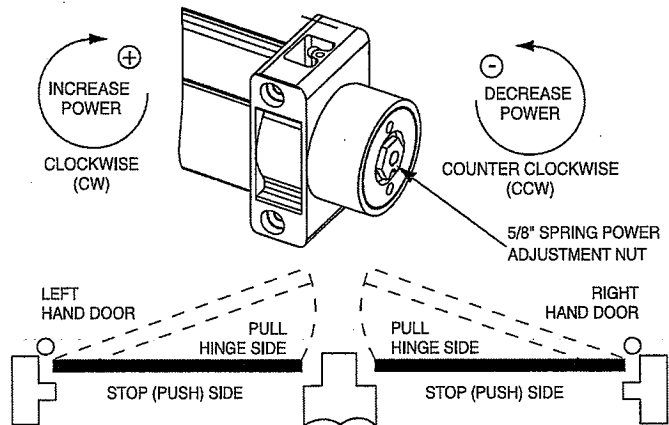
DOOR WIDTH (INCHES)	APPROXIMATE DOOR WEIGHT (POUNDS)	NUMBER OF TURNS OF SPRING POWER ADJUSTING SCREW FROM FACTORY SETTING (USE CHART AS GUIDE ONLY)	
		351 EXTERIOR DOORS	INTERIOR DOORS
24	80	FACTORY SET	
30	110	1-4 CW	
32	115	4-7 CW	
36	130	7-10 CW	
40	150	10-12 CW	
42	155	FACTORY SET	
44	165	1-5 CW	
46	170	5 CW AND UP AS REQ.	
48	180	5 CW AND UP AS REQ.	
OVER 48		UP TO 18 CW AS REQ.	

ADJUST SPRING POWER ACCORDING TO CHART*

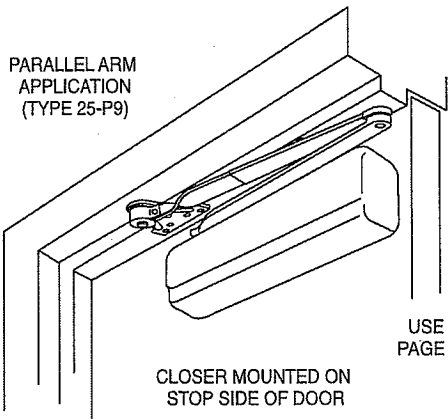


USE
PAGE 3

CLOSER MOUNTED ON FRAME
ON STOP SIDE OF DOOR



PARALLEL APPLICATION ONLY



USE
PAGE 4

CLOSER MOUNTED ON
STOP SIDE OF DOOR

DOOR WIDTH (INCHES)	APPROXIMATE DOOR WEIGHT (POUNDS)	NUMBER OF TURNS OF SPRING POWER ADJUSTING NUT FROM FACTORY SETTING (USE CHART AS GUIDE ONLY)	
		351 EXTERIOR DOORS	INTERIOR DOORS
24	80	2-6 CW	
30	110	6-8 CW	
32	115	8-11 CW	
36	130	11-13 CW	
40	150	FACTORY SET	
42	155	1-5 CCW	
44	165	1-7 CW	
46	170	8 CW AND UP AS REQ.	
48	180	8 CW AND UP AS REQ.	
OVER 48		UP TO 18 CW AS REQ.	

ADJUST SPRING POWER ACCORDING TO CHART*

*IF INTERIOR DOORS DO NOT HAVE TO COMPLY WITH ADA REQUIREMENTS, EXTERIOR DOOR SETTINGS ARE RECOMMENDED. WHERE STRONG DRAFTS EXIST, INCREASE SPRING POWER AS NEEDED BY TURNING SPRING ADJUSTMENT SCREW CLOCKWISE. IF NECESSARY, REDUCE SPRING POWER BY TURNING SCREW COUNTERCLOCKWISE.

351 STANDARD ARM APPLICATION INSTRUCTIONS

SARGENT
ASSA ABLOY

IMPORTANT: USE ALTERNATE MOUNTING IF DOOR CAN OPEN BEYOND LIMITS SHOWN FOR STANDARD MOUNTING

ARM TYPE	MOUNTING	MAX. DOOR OPENING	DIM. A	DIM. B
REGULAR ARM NO HOLDER	STANDARD	120	8 3/16"	11 7/16"
	ALTERNATE	160	6 13/16"	10 1/6"

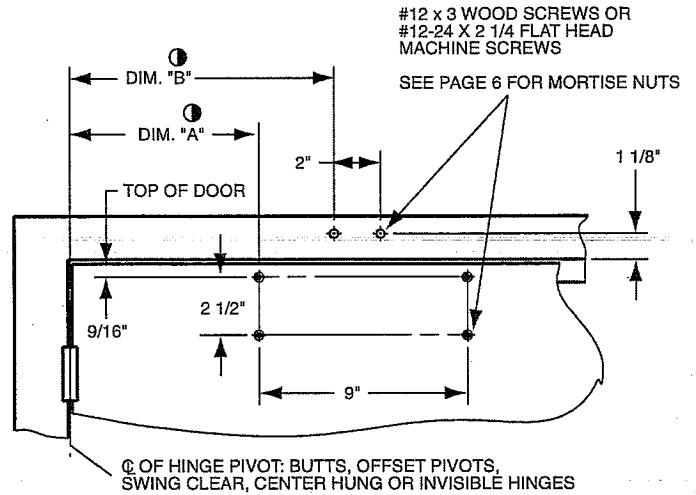
● IF BUTT, FRAME AND WALL CONDITIONS PERMIT DOOR WILL OPEN 180°

① — RIGHT HAND DOOR SHOWN. LEFT HAND DOOR OPPOSITE.

② — ● THIS DIMENSION IS TAKEN FROM HINGE EDGE OF DOOR FOR INVISIBLE HINGES.

DRILL & TAP AND USE SCREWS PROVIDED OR USE MORTISE NUTS WHEN REQUIRED.

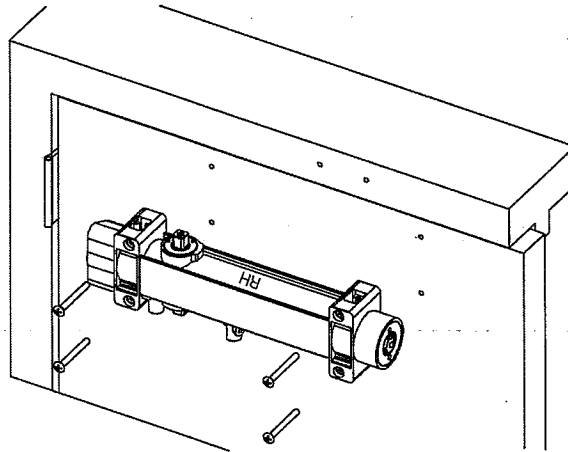
USE TEMPLATE A6753 FOR 25-OLC ARM (LOW PROFILE)



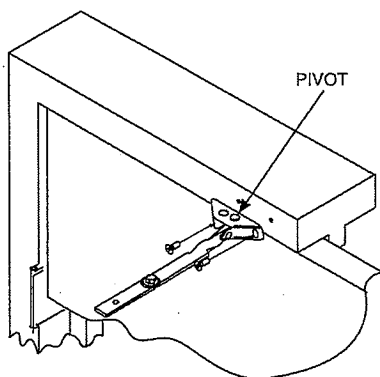
A INSTALL DOOR CLOSER TO DOOR WITH SPRING ADJUSTMENT NUT AWAY FROM HINGE.

NOTE: 351 CLOSER BODIES ARE NON HANDED. IT IS IMPORTANT THAT THE CLOSER BODY BE MARKED WITH "RH" SYMBOL AT TOP, FOR RIGHT HAND DOORS. "LH" SYMBOL AT TOP FOR LEFT HAND DOORS.

RIGHT HAND DOOR SHOWN

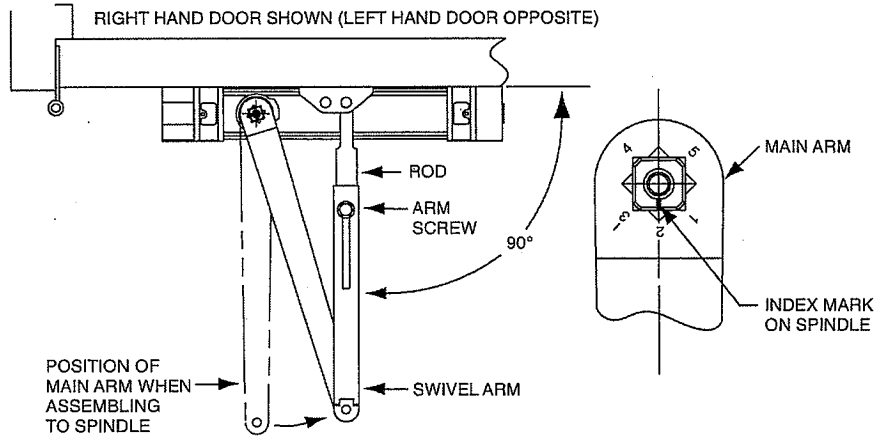


B ATTACH FOOT TO FRAME WITH PIVOT AWAY FROM HINGE.



ASSA ABLOY, the global leader in door opening solutions

C ATTACH ARM WITH INDEX MARK ON SPINDLE ALIGNED AS SHOWN. SECURE WITH SCREW AND WASHER. INSERT ROD END INTO SWIVEL ARM AND TIGHTEN ARM SCREW AS SHOWN BELOW.



Copyright © 2003, 2008, Sargent Manufacturing Company, an ASSA ABLOY Group company. All rights reserved. Reproduction in whole or in part without the express written permission of Sargent Manufacturing Company is prohibited.

A7340B

351 TOP JAMB APPLICATION INSTRUCTIONS

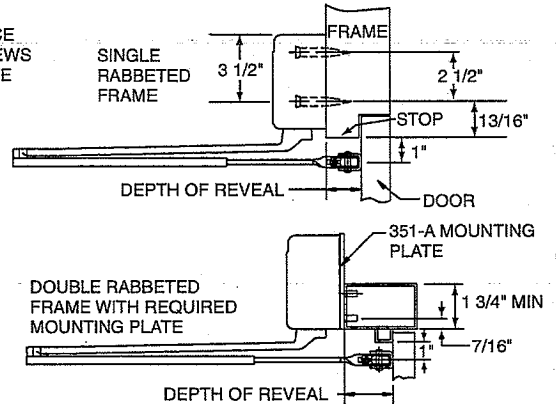
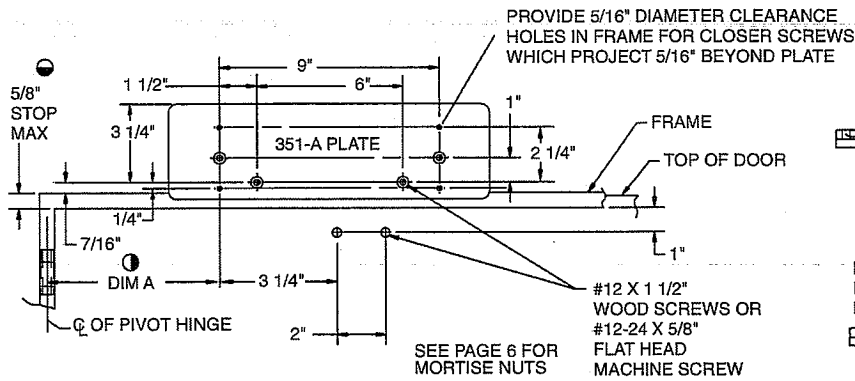
SARGENT
ASSA ABLOY

ARM TYPE	REVEAL DEPTH	DOOR OPENING
"O" ARM	0" TO 2"	140°
"OZ" ARM	2 1/8" TO 5"	140°
"OZA" ARM	5 1/8" TO 8"	140°

DIM. A	MAX. DOOR OPENING
8 5/8"	110°
5 3/8"	140°

- 1 RIGHT HAND DOOR SHOWN, LEFT HAND DOOR OPPOSITE.
- 2 THIS DIMENSION IS TAKEN FROM HINGE EDGE OF DOOR FOR INVISIBLE HINGES.
- 3 DOOR OPENING TO 180° IS POSSIBLE IF DEPTH OF REVEAL IS NOT GREATER THAN 2"

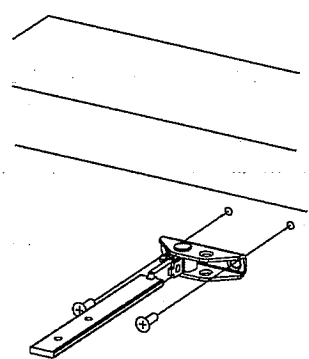
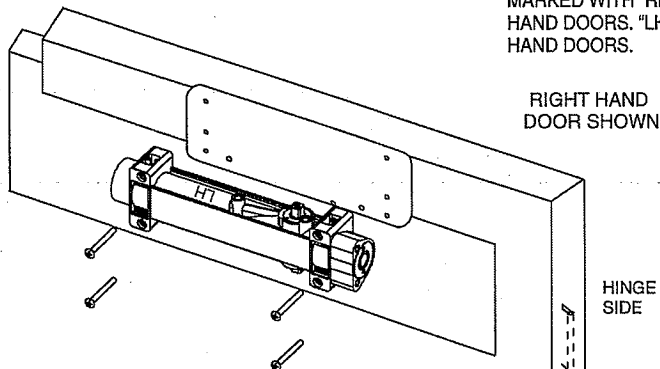
DRILL & TAP AND USE SCREWS PROVIDED OR USE MORTISE NUTS WHEN REQUIRED.



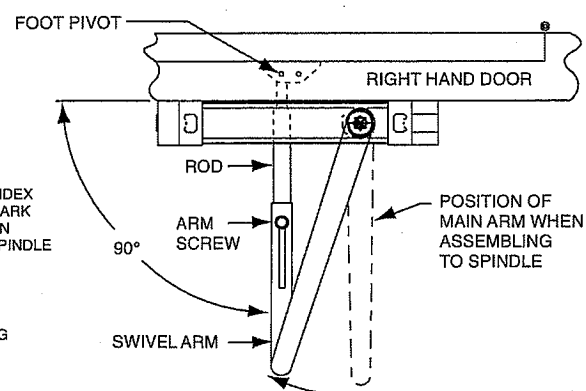
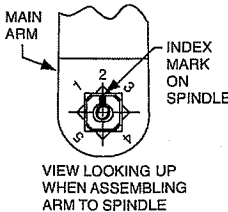
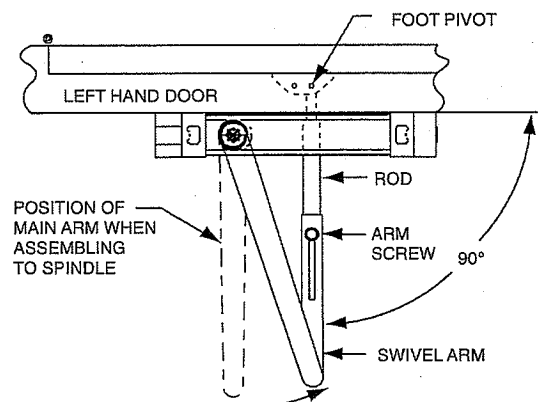
A INSTALL DOOR CLOSER TO FRAME WITH SPRING ADJUSTMENT NUT AWAY FROM HINGE.

NOTE: 351 CLOSER BODIES ARE NON HANDED. IT IS IMPORTANT THAT THE CLOSER BODY BE MARKED WITH "RH" SYMBOL AT TOP, FOR LEFT HAND DOORS. "LH" SYMBOL AT TOP FOR RIGHT HAND DOORS.

B ATTACH FOOT TO DOOR WITH PIVOT AWAY FROM HINGE.



C INSTALL MAIN ARM TO SPINDLE AND SECURE WITH SCREW AND WASHER AS SHOWN. OPEN DOOR INSERT RETANGULAR ROD INTO SWIVEL ARM THEN CLOSE THE DOOR AND TIGHTEN ARM SCREW SECURELY WHEN SWIVEL ARM IS AT RIGHT ANGLE TO DOOR.



ASSA ABLOY, the global leader in door opening solutions

Copyright © 2003, 2008, Sargent Manufacturing Company, an ASSA ABLOY Group company. All rights reserved. Reproduction in whole or in part without the express written permission of Sargent Manufacturing Company is prohibited.

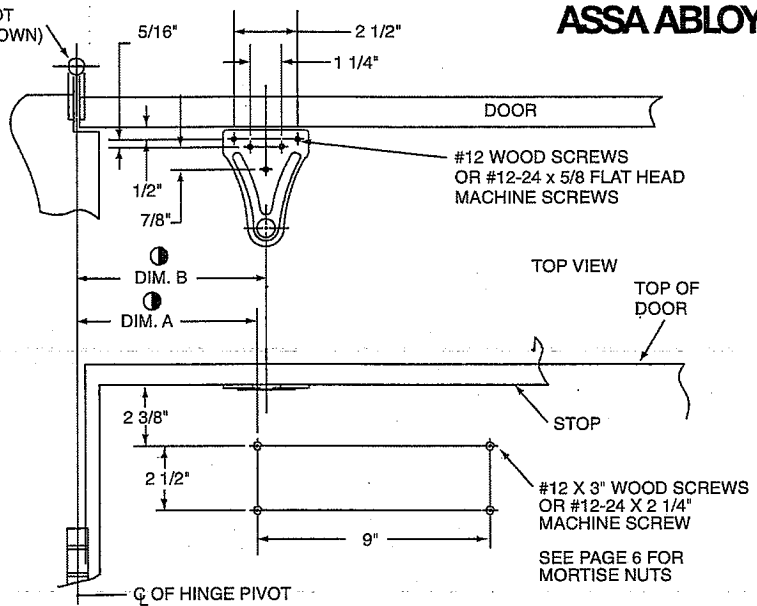
351 PARALLEL ARM APPLICATION INSTRUCTIONS

SARGENT
ASSA ABLOY

MAX. DOOR OPENING	DIM. A	DIM. B
120°	9 7/8"	10 1/4"
180° ●	7"	7 3/8"

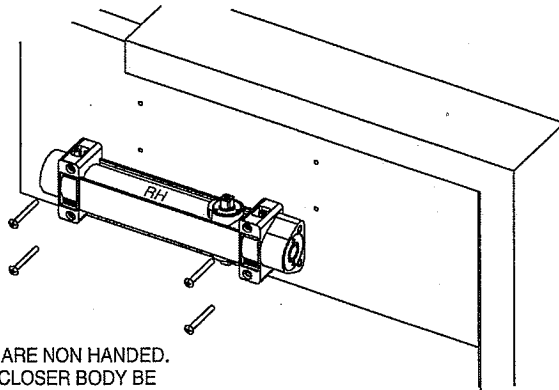
- ① LEFT HAND DOOR SHOWN. RIGHT HAND DOOR DIMENSION OPPOSITE.
- ② ● DO NOT USE THIS MOUNTING FOR "SWING CLEAR" HINGES.
- ③ ◐ THIS DIMENSION IS TAKEN FROM HINGE EDGE OF DOOR FOR INVISIBLE HINGES.

DRILL & TAP AND USE SCREWS PROVIDED OR USE MORTISE NUTS WHEN REQUIRED.



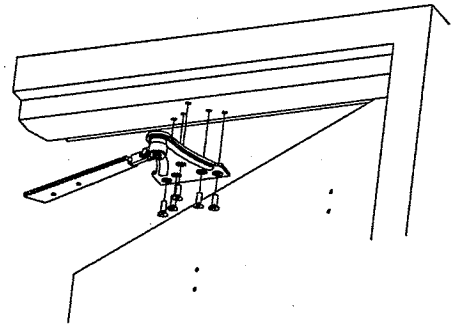
A INSTALL DOOR CLOSER TO DOOR WITH SPRING ADJUSTMENT NUT AWAY FROM HINGE.

RIGHT HAND DOOR SHOWN



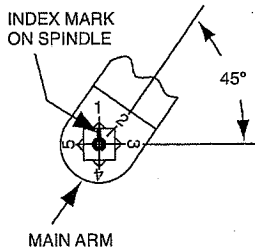
NOTE: 351 CLOSER BODIES ARE NON HANDED. IT IS IMPORTANT THAT THE CLOSER BODY BE MARKED WITH "RH" SYMBOL AT TOP, FOR RIGHT HAND DOORS. "LH" SYMBOL AT TOP FOR LEFT HAND DOORS.

B ATTACH FOOT BRACKET TO FRAME STOP.



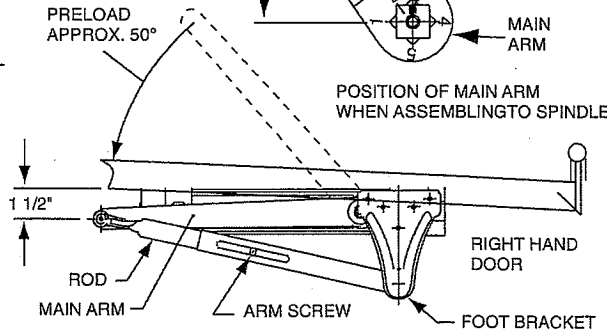
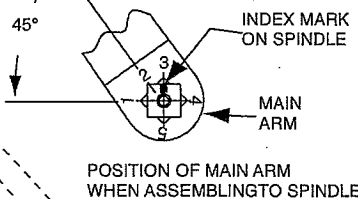
C USING WRENCH ON BOTTOM END OF SPINDLE, ROTATE SPINDLE 45° AND ASSEMBLE MAIN ARM TO CLOSER AS SHOWN, AND THEN INSERT ROD END INTO SWIVEL ARM AND TIGHTEN ARM SCREW POSITIONING ARM 1 1/2" AWAY FROM DOOR.

LEFT HAND VIEW OF INDEX

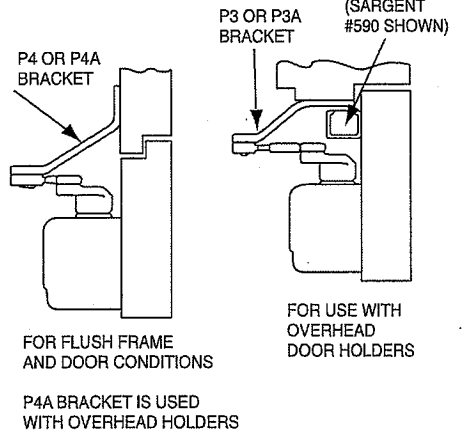


CAUTION: DOOR CLOSER WILL NOT OPERATE PROPERLY IF ARM IS NOT INDEXED CORRECTLY.

RIGHT HAND VIEW OF INDEX



OPTIONAL ARMS FOR MOUNTING. SEE DATA SHEET ENCLOSED.



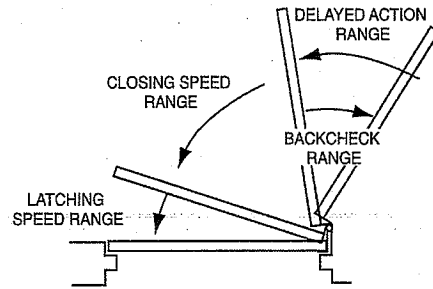
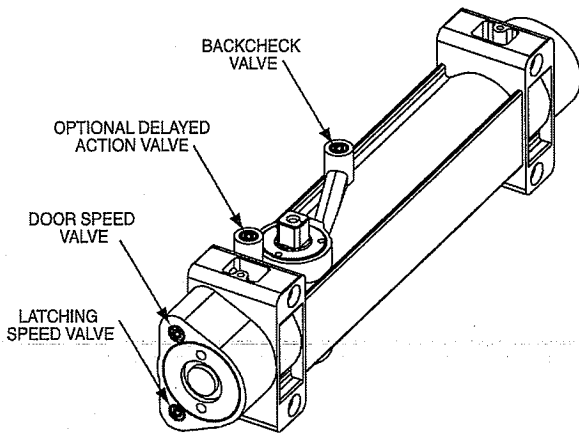
ASSA ABLOY, the global leader in door opening solutions

Copyright © 2003, 2008, Sargent Manufacturing Company, an ASSA ABLOY Group company. All rights reserved. Reproduction in whole or in part without the express written permission of Sargent Manufacturing Company is prohibited.

A7340B

FINAL ADJUSTMENT AND REGULATING PROCEDURE

SARGENT
ASSA ABLOY



A REGULATING DOOR SPEED AND LATCHING SPEED AS NEEDED.

USE HEX SOCKET (1/8" ALLEN) WRENCH AND TURN VALVES CLOCKWISE TO SLOW DOWN OR COUNTER CLOCKWISE TO SPEED UP DOOR MOVEMENT.



B REGULATING BACKCHECK

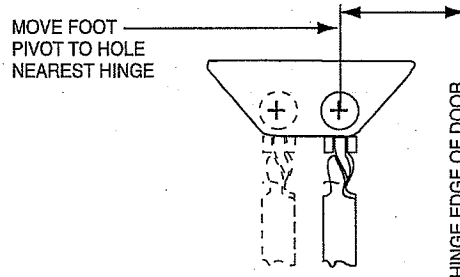
TO REGULATE THE INTENSITY OF BACKCHECK ACTION TURN VALVE CLOCKWISE TO INCREASE OR COUNTER CLOCKWISE TO DECREASE CHECKING.
CAUTION: SET VALVE FOR SLIGHT CUSHIONING EFFECT. IT IS DAMAGING TO THE CLOSER IF THE CHECKING ACTION IS TOO ABRUPT. NEVER USE BACKCHECK AS A DOOR STOP. ALWAYS USE A DOOR STOP TO STOP THE DOOR.

C FOR MODELS WITH OPTIONAL DELAYED ACTION FEATURE

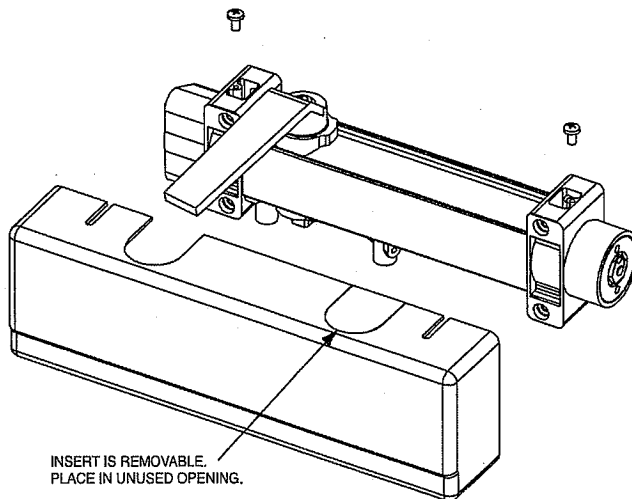
"DELAYED ACTION" PROVIDES SLOW DOOR CLOSING THROUGH DELAYED ACTION RANGE

TURN VALVE CLOCKWISE TO SLOW DOWN OR COUNTER CLOCKWISE TO SPEED UP DOOR MOVEMENT

D ADJUSTING FOOT FOR ADDITIONAL CLOSING POWER (FOR STANDARD AND TOP JAMB APPLICATIONS ONLY)



E INSTALL COVER WITH TWO SCREWS AS SHOWN.



USING MORTISE NUTS WITH SARGENT DOOR CLOSER



1. SEE INSTRUCTIONS OR DATA SHEET PACKED WITH DOOR CLOSER FOR DIMENSIONS LOCATING THE CLOSER BODY AND FOOT ON DOOR AND FRAME.
2. MORTISE NUT SHOWN IS DESIGNED FOR AN UNREINFORCED METAL DOOR.
3. FOR TOP JAMB AND CORNER BRACKET APPLICATIONS: THE DOOR CLOSER FOOT WILL BE ATTACHED TO THE DOOR IN A MANNER SIMILAR TO THAT SHOWN FOR MOUNTING THE CLOSER BODY.
4. FOR DOORS 2 1/4" THICK: MORTISE NUT SHOWN FOR 1 3/4" THICK DOORS WILL BE FURNISHED ALONG WITH APPROPRIATE LENGTH THRU-BOLTS. DOOR CONSTRUCTION MUST PROVIDE A BRIDGE TYPE REINFORCEMENT TO PREVENT THE DOOR RAIL FROM COLLAPSING WHEN THRU-BOLTS ARE TIGHTENED.

