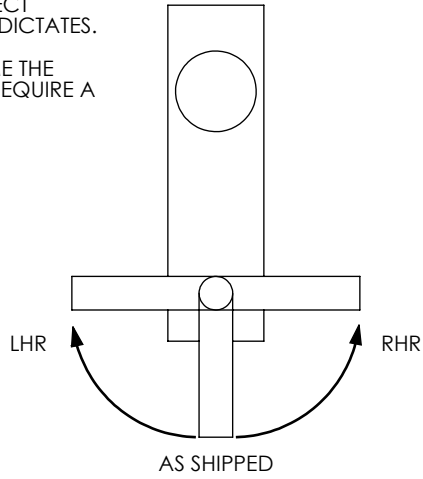


THIS LEVER IS SHIPPED IN A NON-HANDED NEUTRAL POSITION AS SHOWN.

TURN THE LEVER TO THE CORRECT POSITION AS HAND OF DOOR DICTATES.

YOU WILL HAVE TO OVERCOME THE CLUTCH SPRING WHICH WILL REQUIRE A FAIR AMOUNT OF FORCE.

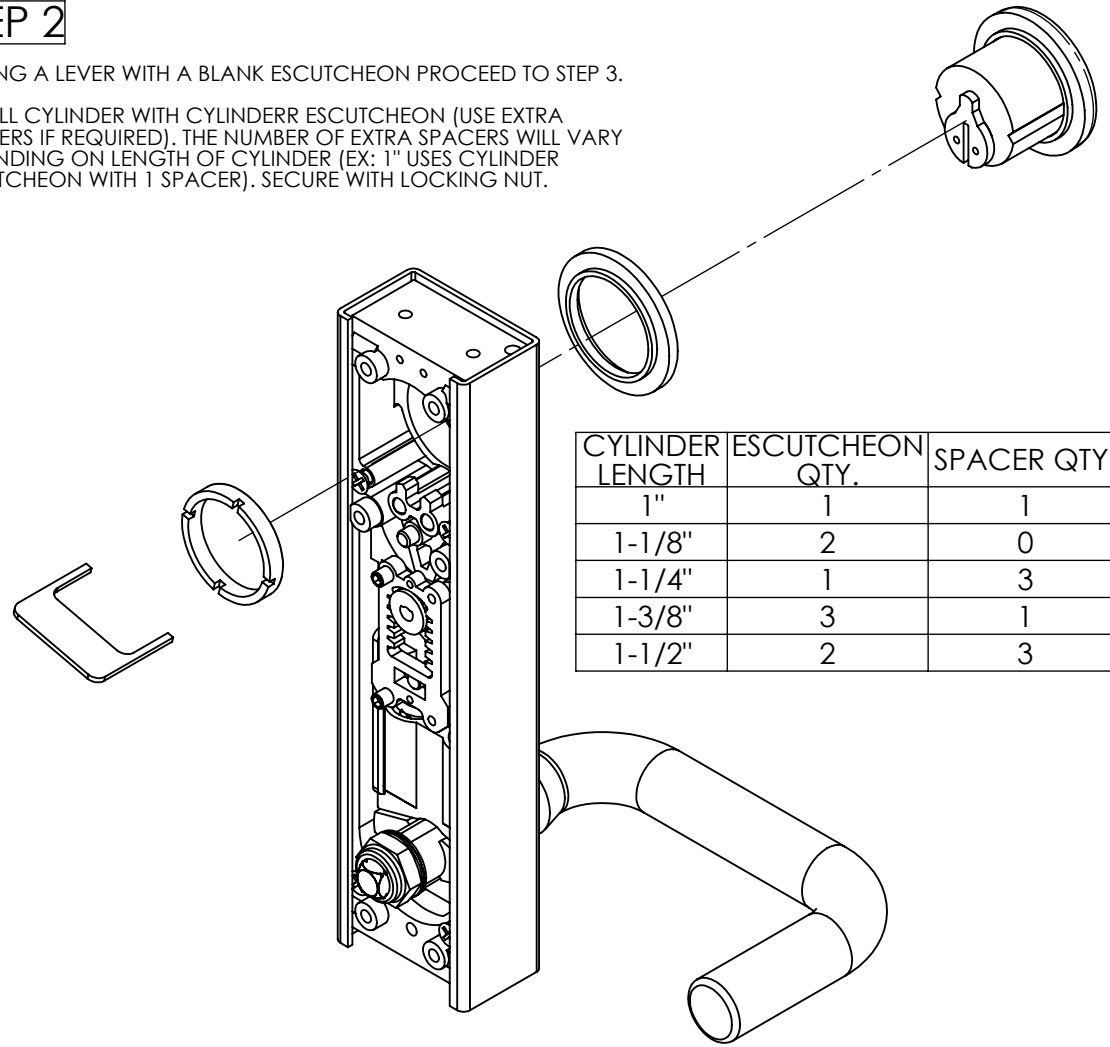


### STEP 1

### STEP 2

IF USING A LEVER WITH A BLANK ESCUTCHEON PROCEED TO STEP 3.

INSTALL CYLINDER WITH CYLINDER ESCUTCHEON (USE EXTRA SPACERS IF REQUIRED). THE NUMBER OF EXTRA SPACERS WILL VARY DEPENDING ON LENGTH OF CYLINDER (EX: 1" USES CYLINDER ESCUTCHEON WITH 1 SPACER). SECURE WITH LOCKING NUT.

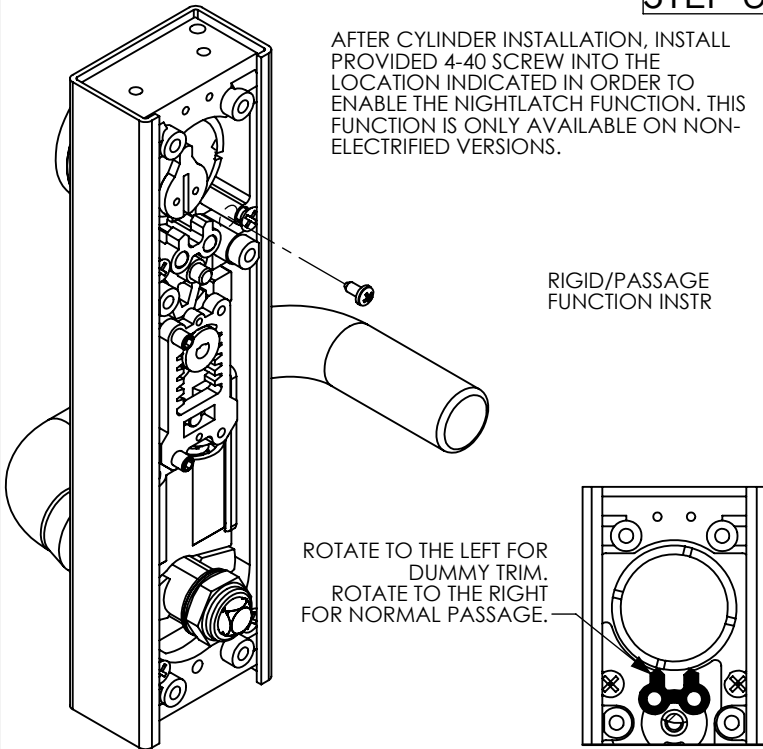


### STEP 3

AFTER CYLINDER INSTALLATION, INSTALL PROVIDED 4-40 SCREW INTO THE LOCATION INDICATED IN ORDER TO ENABLE THE NIGHTLATCH FUNCTION. THIS FUNCTION IS ONLY AVAILABLE ON NON-ELECTRIFIED VERSIONS.

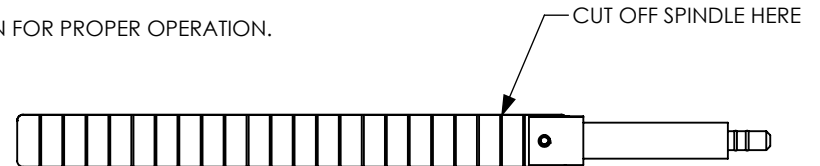
RIGID/PASSAGE FUNCTION INSTR

ROTATE TO THE LEFT FOR DUMMY TRIM.  
ROTATE TO THE RIGHT FOR NORMAL PASSAGE.



### STEP 4

MODIFY THE SPINDLE AS SHOWN FOR PROPER OPERATION.



# STEP 5

- TRIM MUST BE INSTALLED BEFORE EXIT DEVICE. IF RETROFITTING AN EXISTING DOOR, REMOVE EXIT DEVICE BEFORE CONTINUING.
- PLACE TWO BRACKETS (ITEM 2) OVER TRIM ASSEMBLY (ITEM 3), AND INSERT FOUR SCREWS (ITEM 1) INTO TRIM ASSEMBLY (ITEM 3) TO HOLD BRACKETS IN PLACE.
- HAMMER FOUR THREADED INSERTS (ITEM 4) FLUSH INTO DOOR WHERE INDICATED.
- PLACE ROTATION LIMITING PINS (ITEM 5) INTO TRIM ASSEMBLY (ITEM 3) WHERE INDICATED, AND PLACE AGAINST DOOR, BEING SURE NOT TO LET THE PINS FALL OUT OF PLACE.
- INSERT FOUR SCREWS (ITEM 6, SAME AS ITEM 1) THROUGH HOLES IN BRACKETS (ITEM 2) AS INDICATED, AND SCREW INTO THREADED INSERTS (ITEM 4) PREVIOUSLY PLACED INTO DOOR.
- PRESS END COVERS (ITEMS 7 AND 8) INTO PLACE ON TRIM ASSEMBLY (ITEM 3) AS INDICATED. BE SURE THE SCREW HOLES ARE FACING AWAY FROM THE LATCH SIDE OF THE DOOR.
- INSERT THE TWO END COVER SCREWS (ITEM 9) THROUGH THE END COVERS (ITEMS 7 AND 8) AND SCREW INTO THE BRACKETS (ITEM 2) TO HOLD THE COVERS IN PLACE. DO NOT OVER TIGHTEN.
- PUT THE SECURITY SCREW (ITEM 10) THROUGH THE DOOR AND INTO THE MATCHING HOLE IN THE TRIM ASSEMBLY (ITEM 3), AND TIGHTEN HAND-TIGHT.
- PUT THE MODIFIED SPINDLE (ITEM 11) THROUGH THE SPINDLE SPRING (ITEM 12).
- PLACE THE SPINDLE AND SPINDLE SPRING (ITEMS 11 AND 12) INTO THE TRIM ASSEMBLY (ITEM 3) AS INDICATED, THROUGH THE CUTOUT IN THE DOOR.
- INSTALL EXIT DEVICE. SEE 80-0180-3976 FOR INSTRUCTIONS.

