

Fig. 1

STEP 1. Frame Preparation

1. Place the hinge frame leaf on the frame. Position the top of the hinge 1/8" maximum below the header as shown (Fig.1) Place the hinge firmly against the face of the frame.
2. Mark and center punch each hole on the frame with the hinge held firmly in place. For ease of installation, center punch can help center the hole so that the fasteners will enter straight. Remove the hinge from the frame and prepare to drill the frame.
3. Drill holes:

Wood Frame: drill all holes using a #28 or 9/64" drill bit.

Hollow Metal frames: drill all holes using a #28 or 9/64" drill bit
 • If hollow metal frame is reinforced, thread all holes with 12-24 tap

Do not install the hinge to the frame at this time

STEP 2. Door Preparation

1. Place the hinge door leaf on the edge of the door. Position the top of the hinge flush with the top of the door. (Fig. 2)
2. Mark and center punch each hole on the door with the hinge held firmly in place. Remove the hinge from the door and prepare to drill the door.
3. Drill holes:

Wood Doors: drill all holes using a #28 or 9/64" drill bit

Hollow Metal Doors: drill all holes using a #28 or 9/64" drill bit
 • If hollow metal door is reinforced, thread all holes with 12-24 tap

STEP 3. Hinge installation

1. Attaching hinge to door: (Fig. 3)

Wood: attach hinge using #12-8 x 1-1/2" Flat Head Particle Board Screws (PBS12150SP10SS).

Hollow Metal: attach hinge using #12-24 x 11/16" Flat Head Undercut Self Drilling Machine Screws (TKS1267SP10SS).

2. Attaching hinge to frame: (Fig. 4)

Wood: attach hinge using #12-8 x 1-1/2" Flat Head Particle Board Screws (PBS12150SP10SS).

Hollow Metal: attach hinge using #12-24 x 11/16" Flat Head Undercut Self Drilling Machine Screws (TKS1267SP10SS).

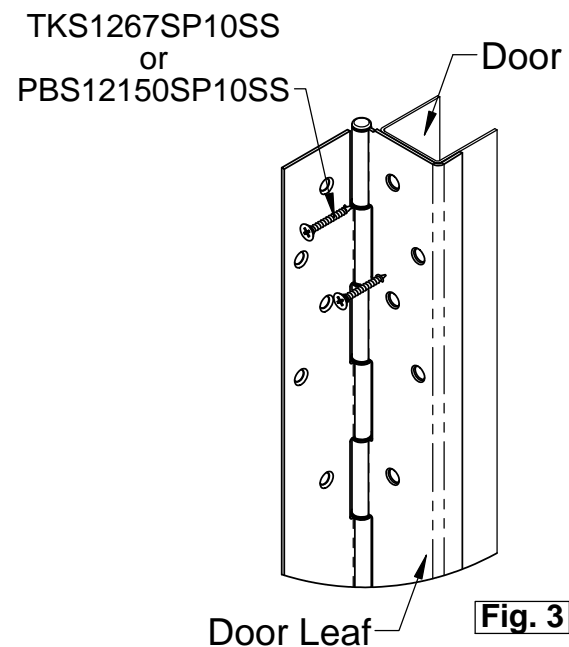


Fig. 3

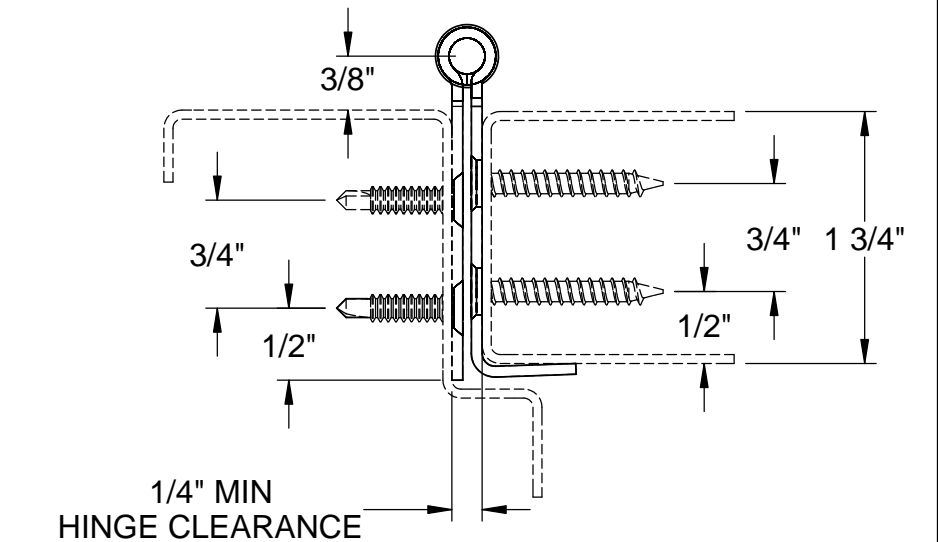


FIGURE 5: HINGE PLACEMENT & CLEARANCE TEMPLATE

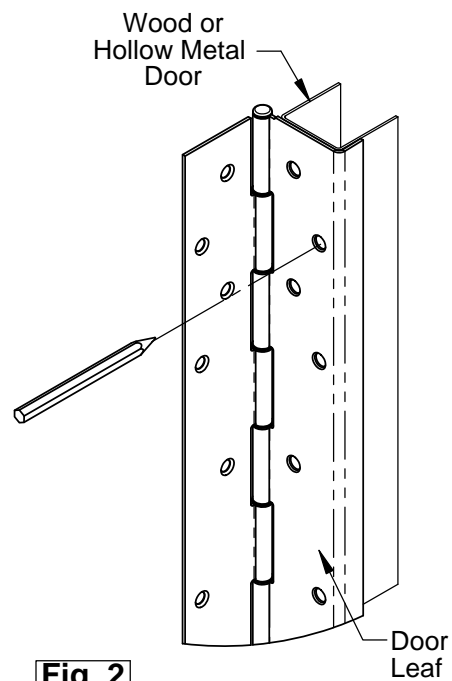


Fig. 2

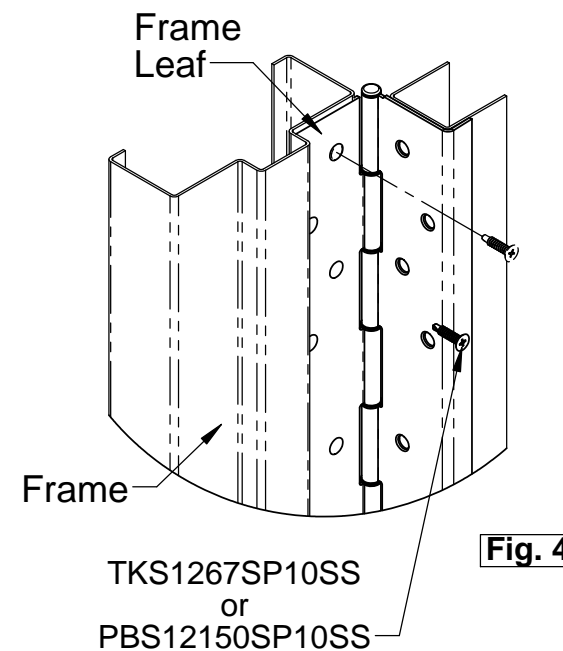
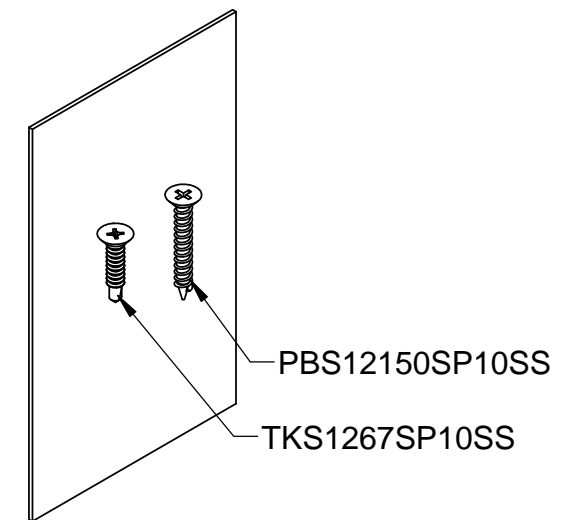


Fig. 4



Standard Screw Pack
 KMPSS
 (2) Per Assembly for 10'
 (1) Per Assembly for All Others

All holes in the door and frame must be drilled correctly and fasteners properly installed. Failure to use the fasteners supplied by Markar Architectural Products, Inc. will void the UL or WHI fire rated listing.