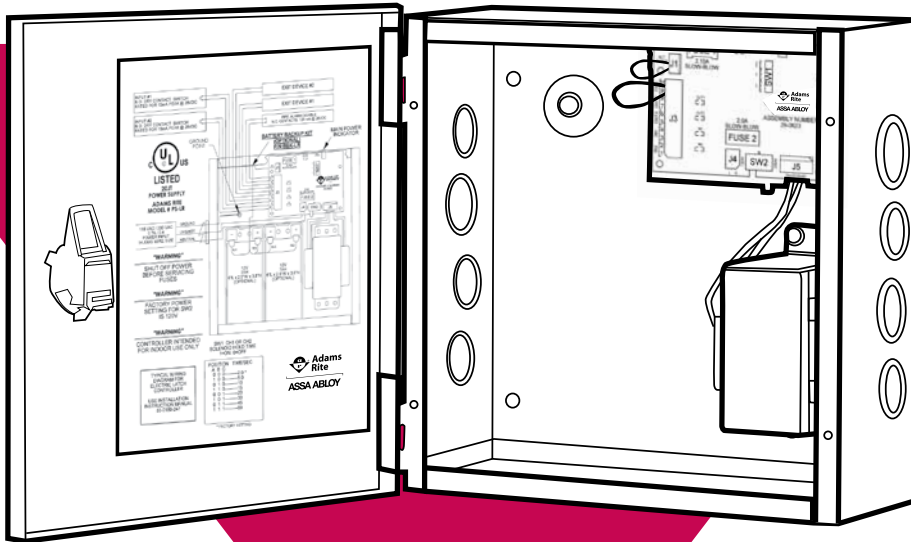


## PS-SE Power Supply

Power Supply with optional battery back-up for all 3000 and 8000 exit devices with Motorized Latch Retraction (SE) option.



### ▼ Input Power

115 VAC, 0.7A

### ▼ Primary Fuse

The PS-SE has two user serviceable fuses:  
F1: Transformer output: 2AMPS/250V 5x20MM  
F2:Transformer input: 2AMPS/250V 5x20MM.

### ▼ Operating Modes

The PS-SE is designed to power up to two 3000SE or 8000SE exit devices in the operating modes.

Sequential Mode – A single input switch (Dry Contact) operates two devices in sequential operation. Ideal for a double-door setup.

Independent Mode – Each SE exit device is controlled by its own input switch.

### ▼ Open Hold Times

The PS-SE has two open hold timers. Hold-open time settings are adjustable from 2-60 seconds.

### ▼ Enclosure

Hinged, steel cabinet measures 10" x 10-3/8" x 4-1/8". Black, baked enamel finish, with knockouts for conduit connections. Sized to accommodate 2 sealed lead acid batteries (7AH, not included).

### ▼ Description

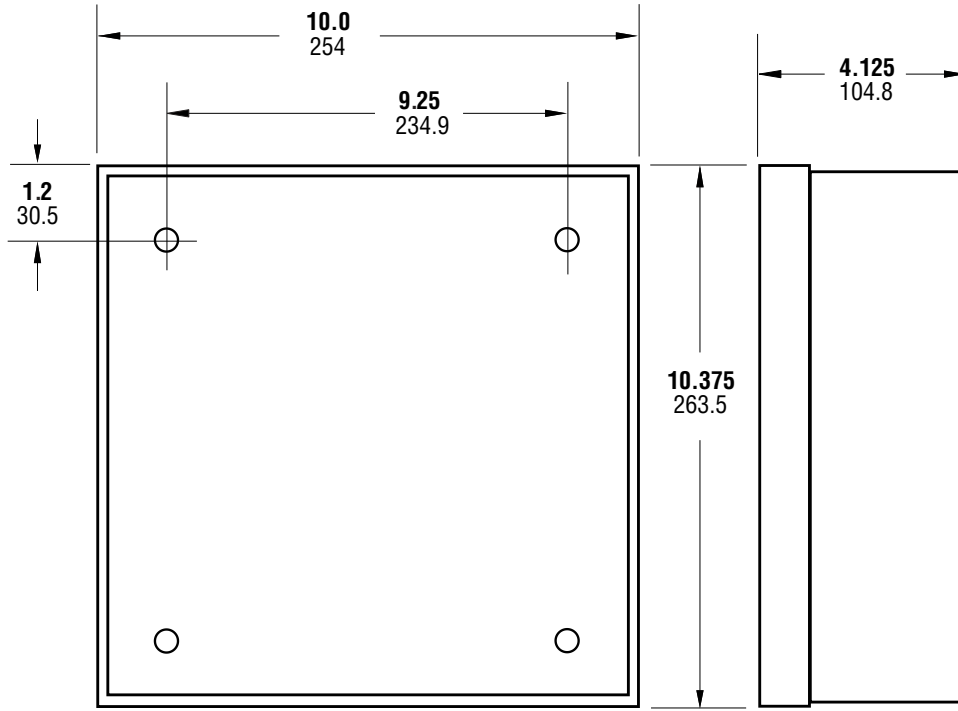
This power supply is required for the Motorized Latch Retraction (SE) option on Adams Rite exit devices. It operates at 24 VDC to power up to two SE exit devices in sequential or independent modes. The PS-SE is also equipped with a fire alarm disconnect interface circuitry.



# Options and Accessories

## DIMENSIONS

**INCHES**  
**MILLIMETERS**  
*Nominal, subject to tolerance extremes.*



## PS-SE LAYOUT AND WIRING

### OPTIONS:

Order battery backup kit (BBK-SE) to add battery backup capability to the PS-SE. The enclosure is sized to accommodate two 12 volt- 7AH sealed lead acid batteries (not included).

### OTHER ACCESSORIES:

See page AC-4 for 4612 Power Transfer Device.

