

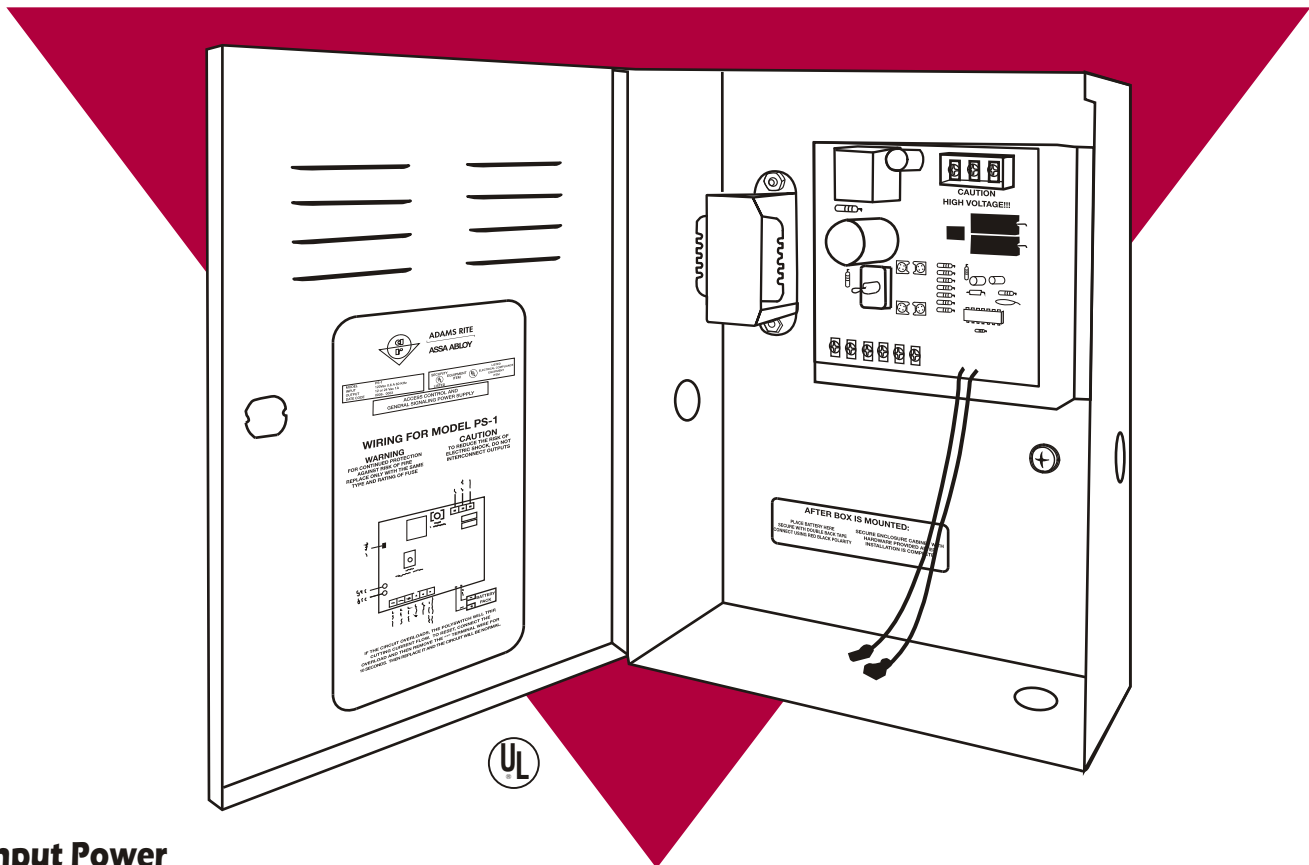
ACCESS CONTROL AND ACCESSORIES



AC-2

PS-1 Power Supply

1 Amp Linear Power Supply with integrated Battery Backup Circuitry for Electric Strikes, Maglocks and other access control devices.



▼ Input Power

110 VAC, 60 Hz, 1/2 amp.

▼ Output Voltage

Field selectable 12 or 24 VDC, 1 amp.
(Maximum 13.8 VDC/27.6 VDC.)

▼ Primary Fuse

800 mA, 5 x 20mm.

▼ Battery Fuse

2 amp, 5 x 20mm.

▼ Fire Alarm

▼ Enclosure

Hinged, steel cabinet measures 12-1/8" x 4" x 12-1/8". Beige, baked enamel finish, with knockouts for conduit and key lock. Sized to accommodate 2 sealed lead acid batteries (4AH, not included).

▼ Description

Provides filtered and regulated voltage output to power electric strikes, magnetic locks or other access control devices. Output is selectable in the field for 12 or 24 VDC. Charging circuit is built in for battery backup power (batteries not included) with 12 or 24 VDC operation. LED on circuit board indicates positive power input.



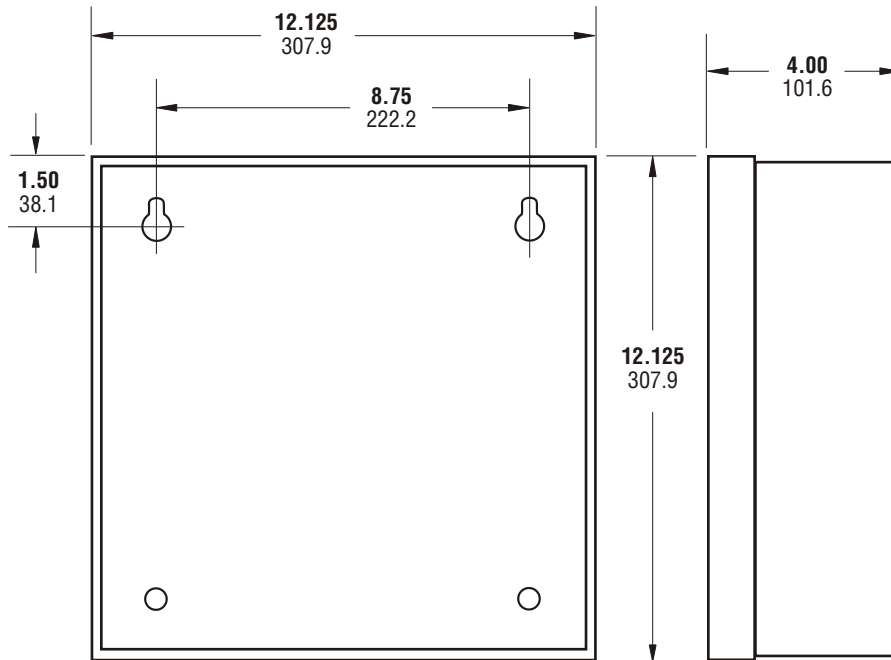
260 Santa Fe Street
Pomona, California 91767
(800) 872-3267 Fax: (800) 232-7329
www.adamsrite.com



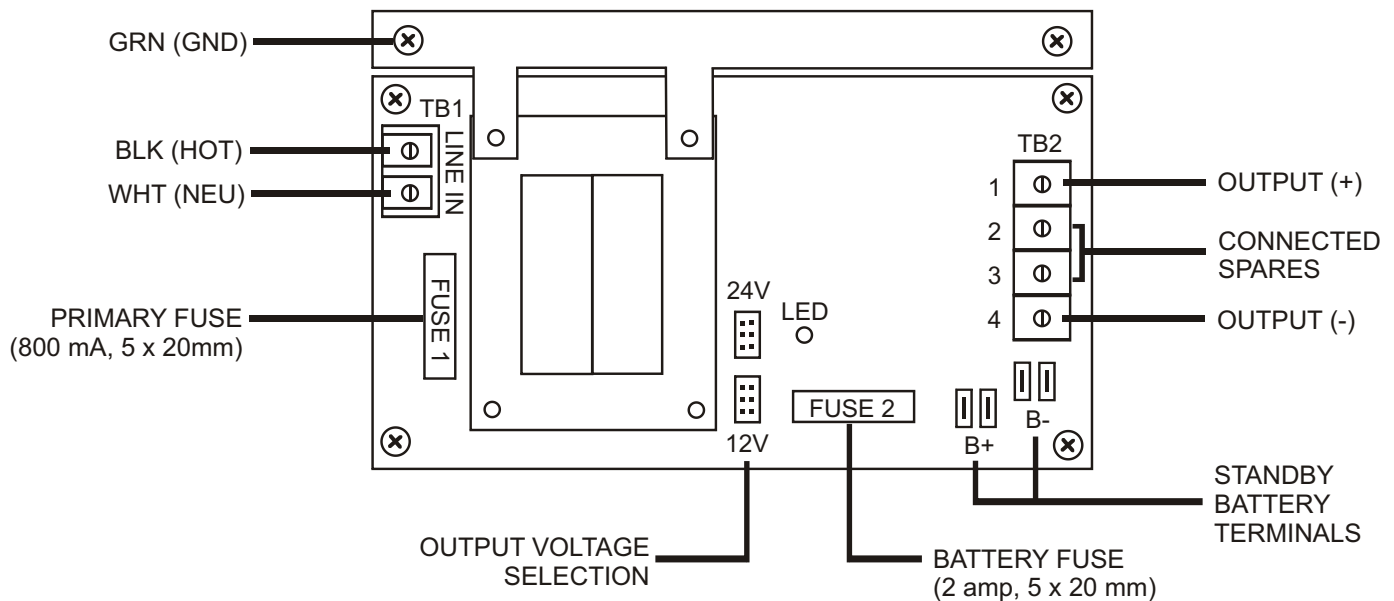
PS-1 Power Supply

DIMENSIONS

INCHES
MILLIMETERS
Nominal, subject to tolerance extremes.



POWER SUPPLY CIRCUIT BOARD



OPTIONS:

Enclosure sized to accommodate 2 sealed lead acid batteries (4 AH, not included).
Order BCK-1 Battery Cable Kit as required.