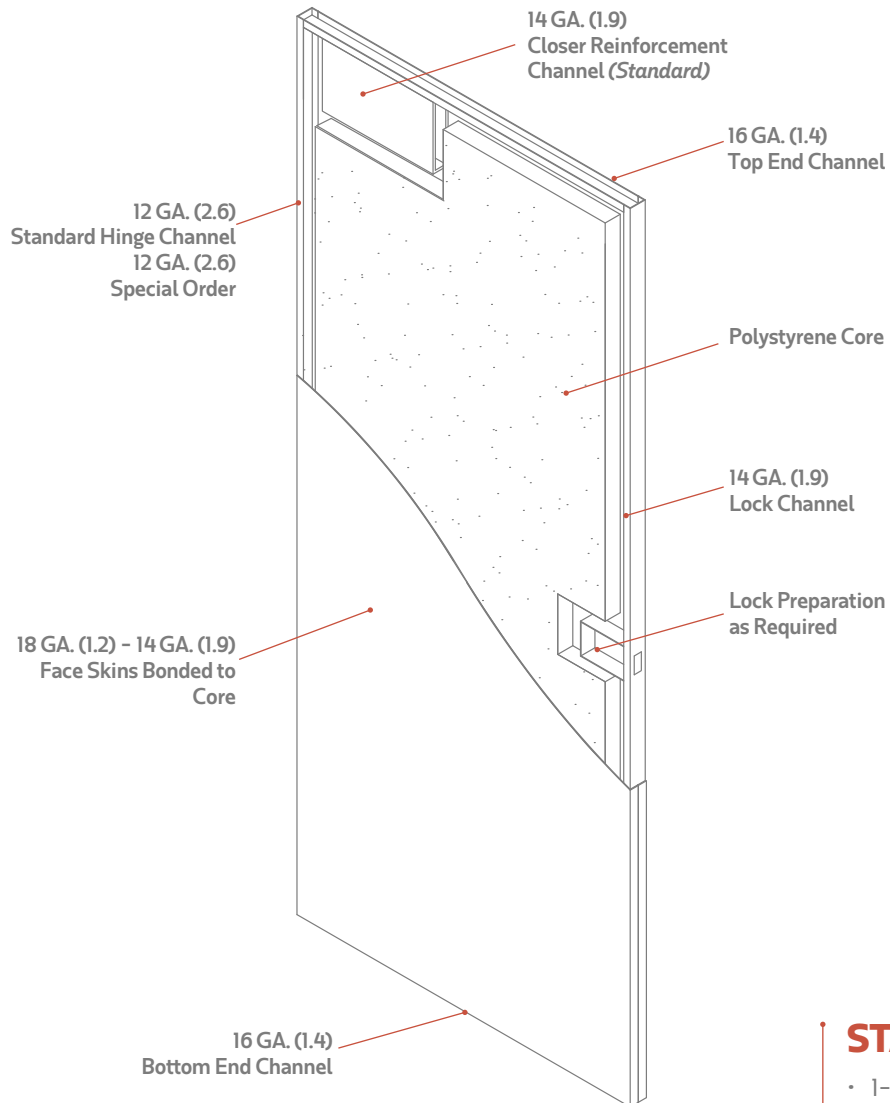


METAL DOOR

THE RITE DOOR

SERIES & CONSTRUCTION

370 POLYSTYRENE CORE



STANDARD FEATURES

- 1-3/4" Thick
- 16 Gauge Top and Bottom Channels
- 18, 16, or 14 Gauge Face Skins
- Rugged Perimeter Channel Construction
- Versatile and Dependable

Core

Insulated Polystyrene Core

Fire Rating

Up to 180 Minutes (3 Hr)

Finish

See Available Colors



ASSA ABLOY

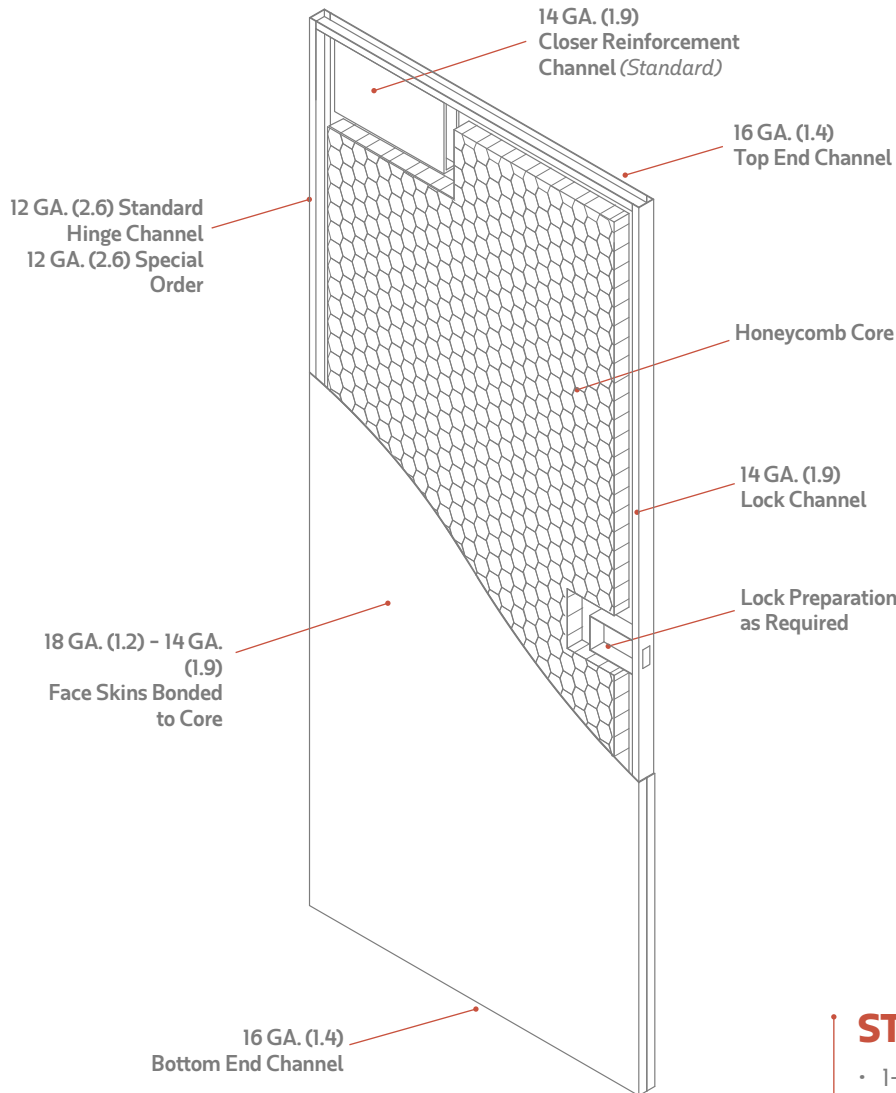
FOR INFORMATION CALL 800.872.3267
OR VISIT RITEDOOR.COM

METAL DOOR

THE RITE DOOR

SERIES & CONSTRUCTION

370 SERIES – HONEYCOMB CORE



AVAILABLE IN 1-3/4" THICKNESS ONLY
WHI LABEL AUTHORITY ONLY

STANDARD FEATURES

- 1-3/4" Thick
- 16 Gauge Top and Bottom Channels
- 18, 16, or 14 Gauge Face Skins
- Rugged Perimeter Channel Construction
- Versatile and Dependable

Core
Honeycomb Core

Fire Rating
Up to 180 Minutes (3 Hr)

Finish
See Available Colors



ASSA ABLOY

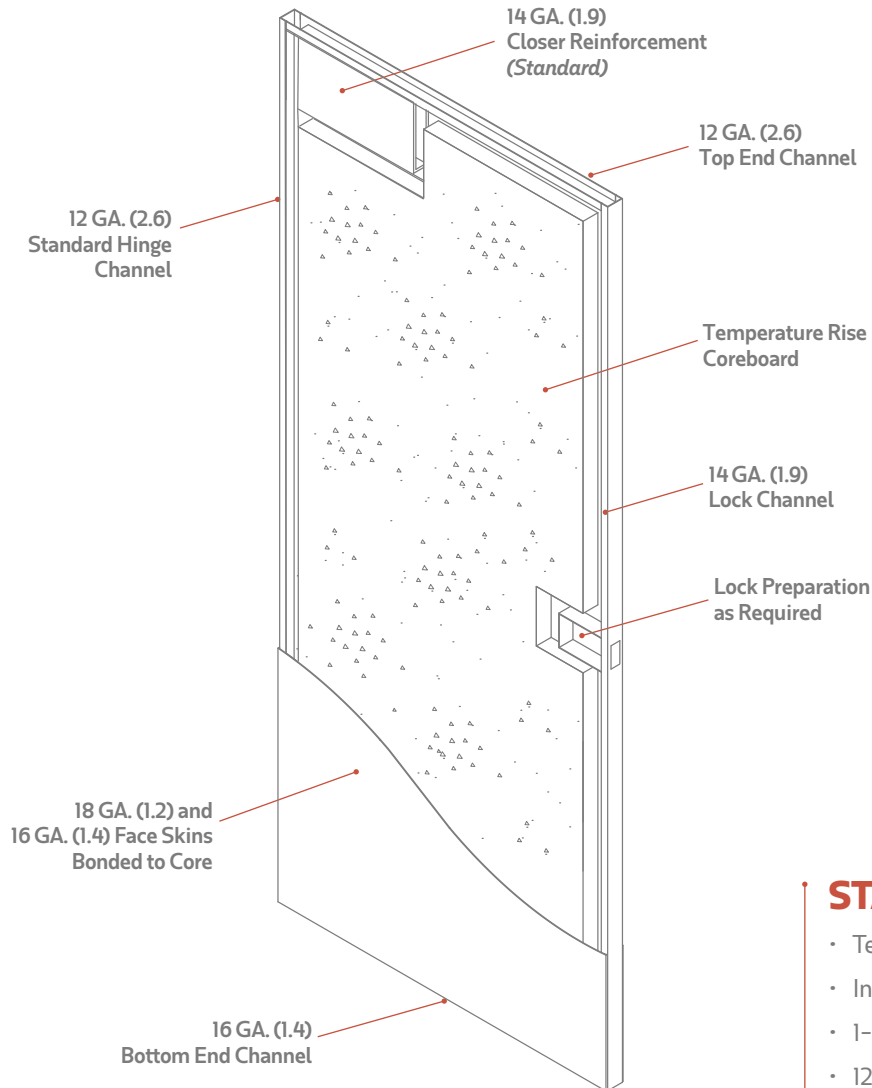
FOR INFORMATION CALL 800.872.3267
OR VISIT RITEDOOR.COM

METAL DOOR

THE RITE DOOR

SERIES & CONSTRUCTION

372 SERIES – TEMPERATURE RISE



250° TEMPERATURE RISE RATING
450° TEMPERATURE RISE RATING

STANDARD FEATURES

- Temperature Rise Rate (250° or 450°)
- Insulated
- 1-3/4" Thick
- 12 Gauge Top Channel
- 16 Gauge Bottom Channel
- Mineral Fire Door Core
- 18 or 16 Gauge Face Skins
- Rugged Perimeter Channel Construction

Core

Temperature Rise Coreboard

Fire Rating

Up to 180 Minutes (3 Hr)

Finish

See Available Colors



ASSA ABLOY

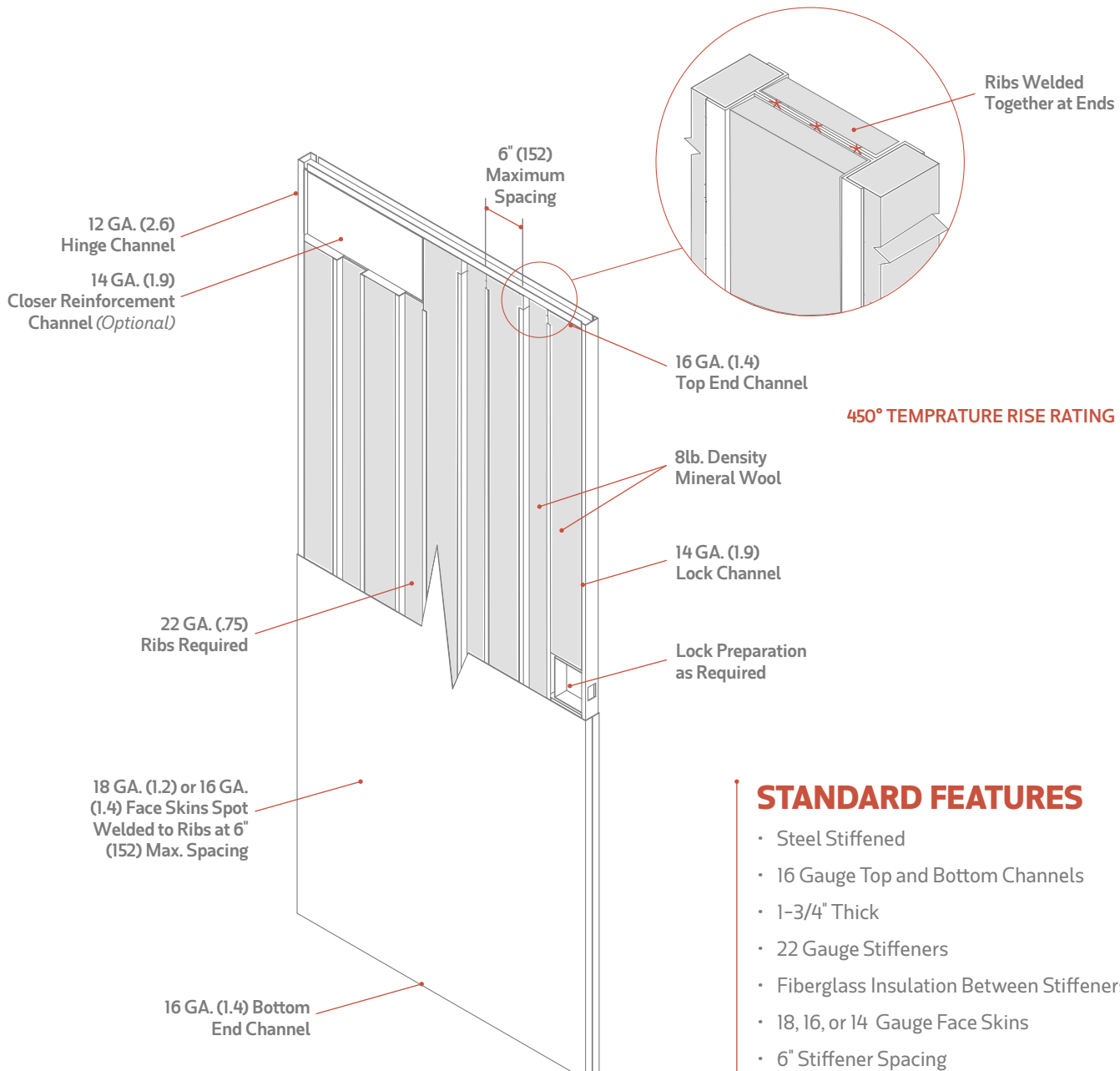
FOR INFORMATION CALL 800.872.3267
OR VISIT RITEDOOR.COM

METAL DOOR

THE RITE DOOR

SERIES & CONSTRUCTION

374 SERIES – STEEL STIFFENED



STANDARD FEATURES

- Steel Stiffened
- 16 Gauge Top and Bottom Channels
- 1-3/4" Thick
- 22 Gauge Stiffeners
- Fiberglass Insulation Between Stiffeners
- 18, 16, or 14 Gauge Face Skins
- 6" Stiffener Spacing
- Sizes from 2'0" x 6'8" to 5'0" x 10'0"
- Rugged Perimeter Channel Construction

Core
Steel Stiffened 8lb. Density Mineral Wool

Fire Rating
Up to 180 Minutes (3 Hr)



ASSA ABLOY

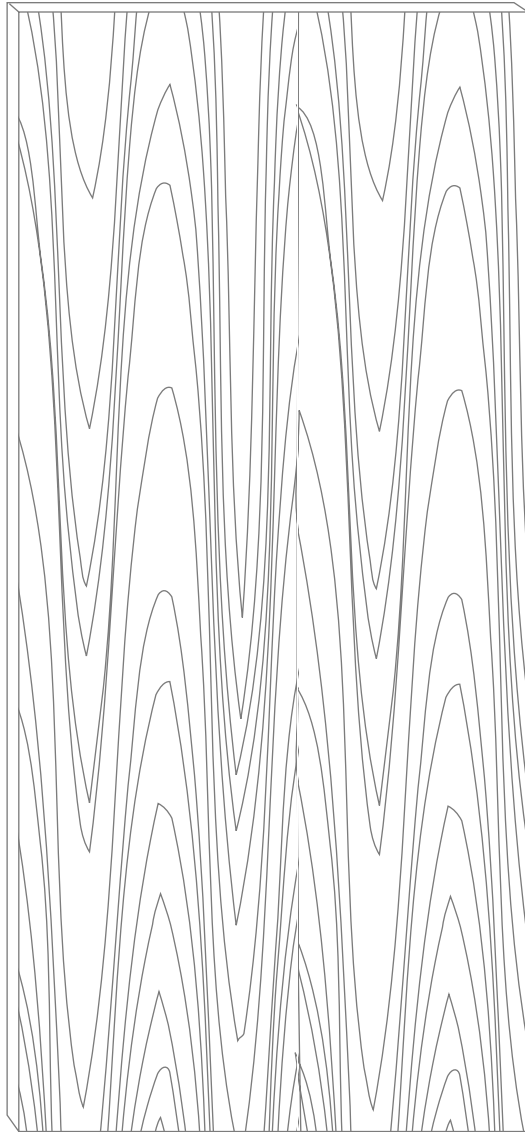
FOR INFORMATION CALL 800.872.3267
OR VISIT RITEDOOR.COM

METAL DOOR

THE RITE
DOOR

SERIES & CONSTRUCTION

RITE DOOR CURRIStain



STANDARD FEATURES

- Steel code - 18 (1.1) or 16 (1.3) gauge galvalume steel with .005" deep oak wood grain embossment
- Available 370 or 372 series "S" edge seam only
- 4'0" x 9'0" (1219 x 2743.2) max door size for 370
- 4'0" x 8'0" (1219 x 2438.4) max door size for 372
- Type 1 and Type 2 window kits available

Max Rating
Up to 180 Minutes (3 Hr)

CURRIStain Finish Colors
Cabernet, Cashew, Cocoa, Java, Natural, Wheat

Custom Color Match
Check factory for pricing, subject to availability

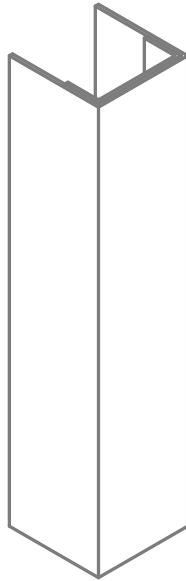
 Adams
Rite

ASSA ABLOY

FOR INFORMATION CALL 800.872.3267
OR VISIT RITEDOOR.COM

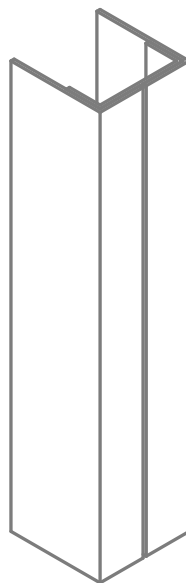
EDGE CONSTRUCTION

EDGE SEAM TYPES



FILLED FLUSH EDGE SEAM TYPE "N" STANDARD

- Skins are spot welded to hinge and lock channels
- Spot weld seams at stress points and between each "S" weld location
- All welds and seams are filled ground smooth



VISIBLE EDGE SEAM TYPES "S" OPTIONAL

- Skins are spot welded to hinge and lock channels
- Spot welds are filled and ground smooth



ASSA ABLOY

FOR INFORMATION CALL 800.872.3267
OR VISIT RITEDOOR.COM

LABEL & RATING OPTIONS

FIRE LABELING GUIDELINES

DOOR – 14 GA., 16 GA. OR 18 GA. HONEYCOMB CORE CONSTRUCTION

Notes

- HPL/CURRIStain is available with 370 Honeycomb Core
- CURRIStain is only available with an “S” edge
- CURRIStain maximum available size: width = 4'0" height = 9'0"

APPLICATION	370 MAXIMUM SIZE	HOURLY RATING
Single Door	4'0" wide x 8'0" high	Up to 3 hour
	4'3" wide x 9'0" high	Up to 1-1/2 hour
Pair	8'0" wide x 8'0" high	Up to 3 hour
	8'6" wide x 9'0" high	Up to 1-1/2 hour
Double Egress	8'0" wide x 8'0" high	Up to 3 hour
	8'6" wide x 9'0" high	Up to 1-1/2 hour

DOOR – 14 GA., 16 GA. OR 18 POLYSTYRENE CORE CONSTRUCTION

Notes

- CURRIStain is available with 370 Polystyrene Core
- HPL is available only with 370 Polystyrene Core, Non-Rated

APPLICATION	370 MAXIMUM SIZE	HOURLY RATING
Single Door	4'0" wide x 8'0" high	Up to 3 hour
Pair	8'0" wide x 8'0" high	Up to 3 hour
Double Egress	8'0" wide x 8'0" high	Up to 3 hour

FIRE LABELING GUIDELINES BY MANUFACTURER

Positive Pressure Category “A”
As tested by Intertek Testing Services (Warnock Hersey)



FOR INFORMATION CALL 800.872.3267 OR VISIT RITEDOOR.COM

LABEL & RATING OPTIONS

FIRE LABELING GUIDELINES

DOOR – 14 GA., 16 GA. OR 18 GA. TEMPERATURE RISE CORE CONSTRUCTION (250° & 450°)

Notes

- A 60 minute fire label for Temperature Rise Core doors is not available
- HPL is not available with Temperature Rise Core Construction
- CURRiStain is available with the 372 Temperature Rise Core
- CURRiStain is only available with an “S” edge
- NO astragal is required on pairs or double egress door openings up to and including 3 hours on Models 370 and 347 doors. No astragal is required on pairs or double egress door openings up to and including 1-1/2 hours on Model 372 doors.

APPLICATION	372 MAXIMUM SIZE	HOURLY RATING
Single Door	4'0" wide x 8'0" high	45, 90, & 3 hour
Pair	8'0" wide x 8'0" high	45, 90, & 3 hour
Double Egress	8'0" wide x 8'0" high	45, 90, & 3 hour

DOOR – 14 GA., 16 GA. OR 18 GA. STEEL STIFFENED CORE CONSTRUCTION

Notes

- HPL available only with 14 gage skins (optional) standard colors only.

**Oversized doors available. Contact factory for options.*

APPLICATION	372 MAXIMUM SIZE	HOURLY RATING
Single Door	4'0" wide x 10'0" high	Up to 3 hour
	4'3" wide x 10'0" high	Up to 1-1/2 hour
Pair	8'0" wide x 10'0" high	Up to 3 hour
	8'6" wide x 10'0" high	Up to 1-1/2 hour
Double Egress	8'0" wide x 10'0" high	Up to 3 hour
	8'6" wide x 10'0" high	Up to 1-1/2 hour

FIRE LABELING GUIDELINES BY MANUFACTURER

Positive Pressure Category “A”
As tested by Intertek Testing Services (Warnock Hersey)



ASSA ABLOY

FOR INFORMATION CALL 800.872.3267 OR VISIT RITEDOOR.COM

LABEL & RATING OPTIONS

FIRE LABELING GUIDELINES

DOOR - 16 GA. OR 18 GA. TEMPERATURE RISE/STEEL STIFFENED CONSTRUCTION (450°)

Notes

- A 60 minutes fire label for Temperature Rise Core doors is not available.
 - No astragal is required on pairs or double egress
- door openings up to and including 3 hours on Models 370 and 374 doors.
- *Oversized doors available. Contact factory for options.*

APPLICATION	374 MAXIMUM SIZE	HOURLY RATING
Single Door	4'0" wide x 10'0" high	45, 90, & 3 hour
	4'3" wide x 10'0" high	45 min. & 1-1/2 hour
Pair	8'0" wide x 10'0" high	45, 90, & 3 hour
	8'6" wide x 10'0" high	45 min. & 1-1/2 hour
Double Egress	8'0" wide x 10'0" high	45, 90, & 3 hour



FOR INFORMATION CALL 800.872.3267
OR VISIT RITEDOOR.COM

FIRE LABELING GUIDELINES BY MANUFACTURER

Positive Pressure Category "A"
As tested by Intertek Testing Services (Warnock Hersey)
As of 01/01/2011

METAL DOOR

THE RITE
DOOR

STEEL TYPE & GAUGE

AVAILABLE STEEL TYPE
AND GAUGES



Cold Rolled Steel (CR) - Standard

- 18 GA, 16 GA, 14 GA

Galvanized A60

- 18 GA, 16 GA, 14 GA

Stainless Steel (304 #4 Satin Finish)

- 18 GA, 16 GA, 14 GA

CURRIStain (Specify Color) - Deep Oak Wood Grain Embossment

- 18 GA, 16 GA

High Pressure Laminate (Need to Specify Wilson Art, Pionite or Nevermar)

- 18 GA, 16 GA, 14 GA*

**If doors are Steel Stiffened Core with HPL Face
Material the gauge of the door needs to be 14 GA.*

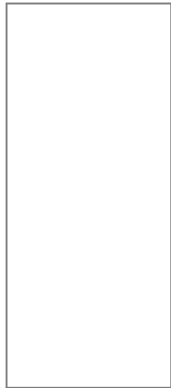


ASSA ABLOY

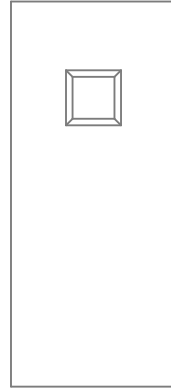
FOR INFORMATION CALL 800.872.3267
OR VISIT RITEDOOR.COM

FACE TYPE

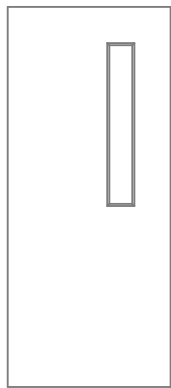
DOOR FACE TYPES



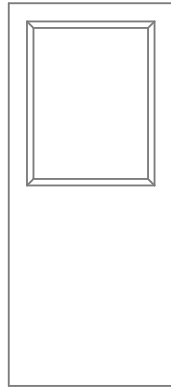
**F
FLUSH**



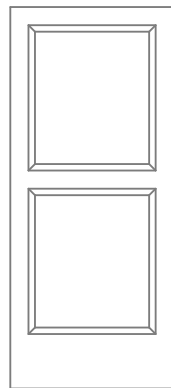
**FV
VISION LITE**



**FNV
NARROW
VISION LITE**



**HG
HG LITE**

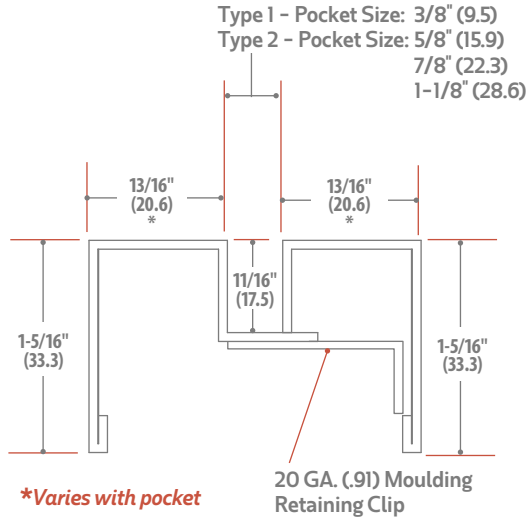


**FG2
FULL GLASS
LITE WITH
INTERMEDIATE
RAIL**

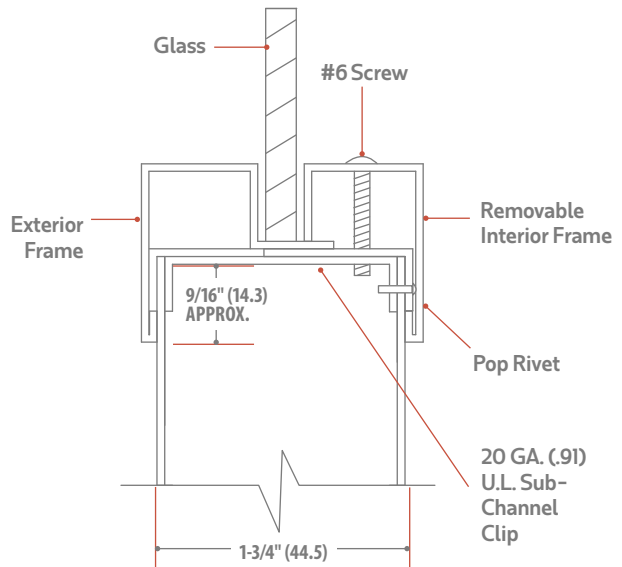
FACE TYPE

DOOR VISION KIT (STANDARD)

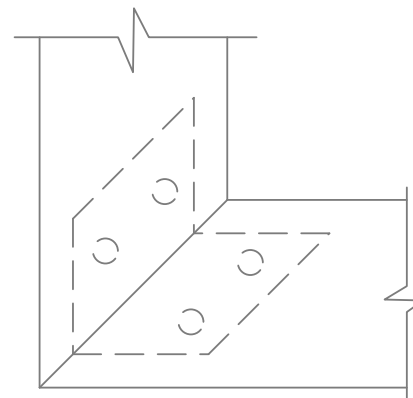
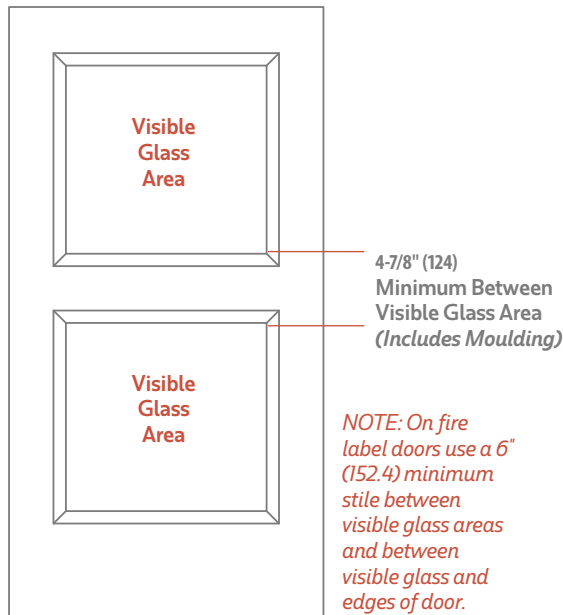
TYPES 1 & 2



NOTE: Please note when kits should be used on 14 gauge doors.



18 GA. (1.2) Galvanized Steel Vision Lite Frame

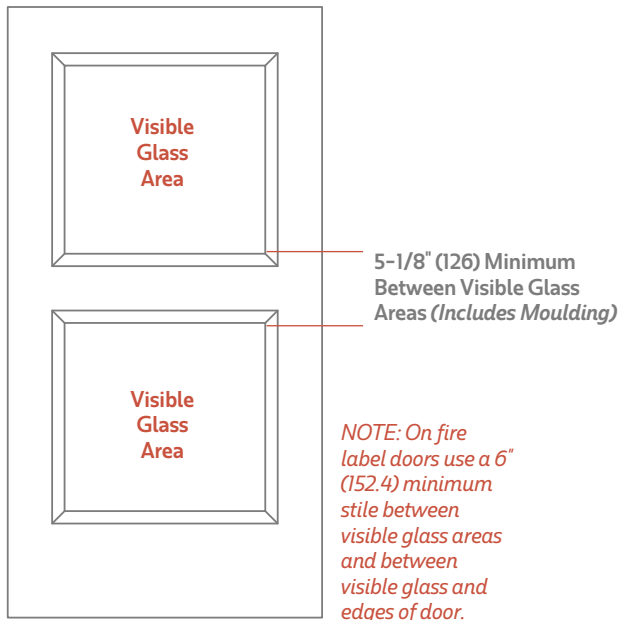
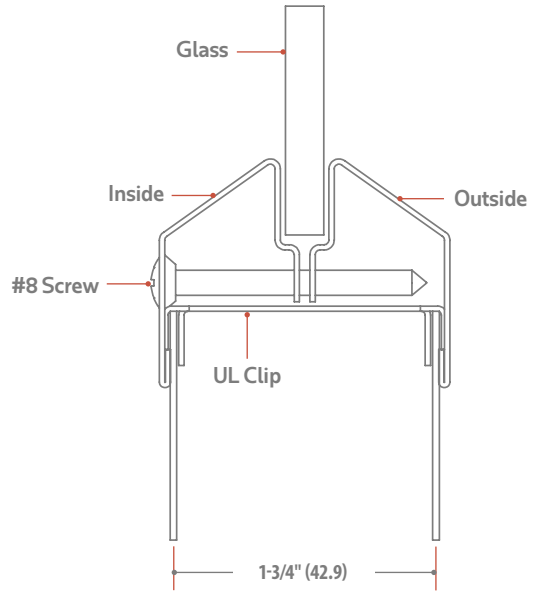
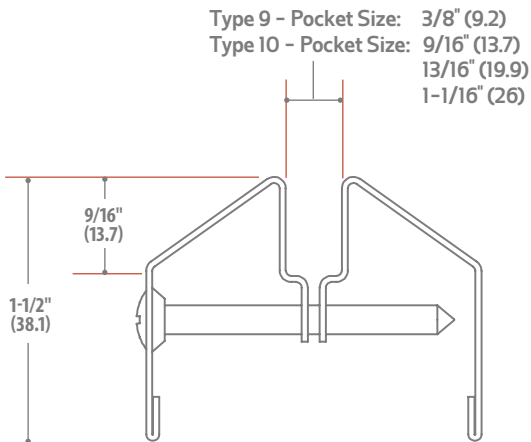


Corner Detail with Corner Clip Welded In

FACE TYPE

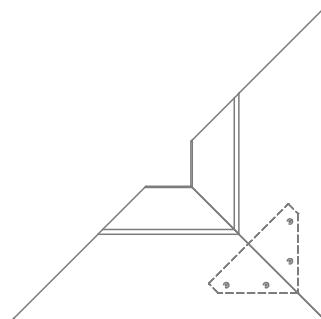
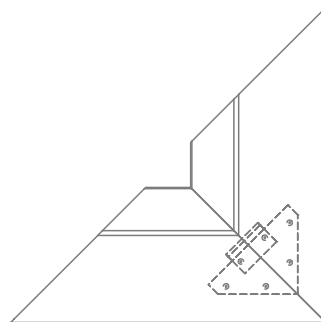
DOOR VISION KIT (STANDARD)

TYPES 9 & 10 WINDOW MOULDING



NOTE: 10" Mid Rail minimum when using inset exit.

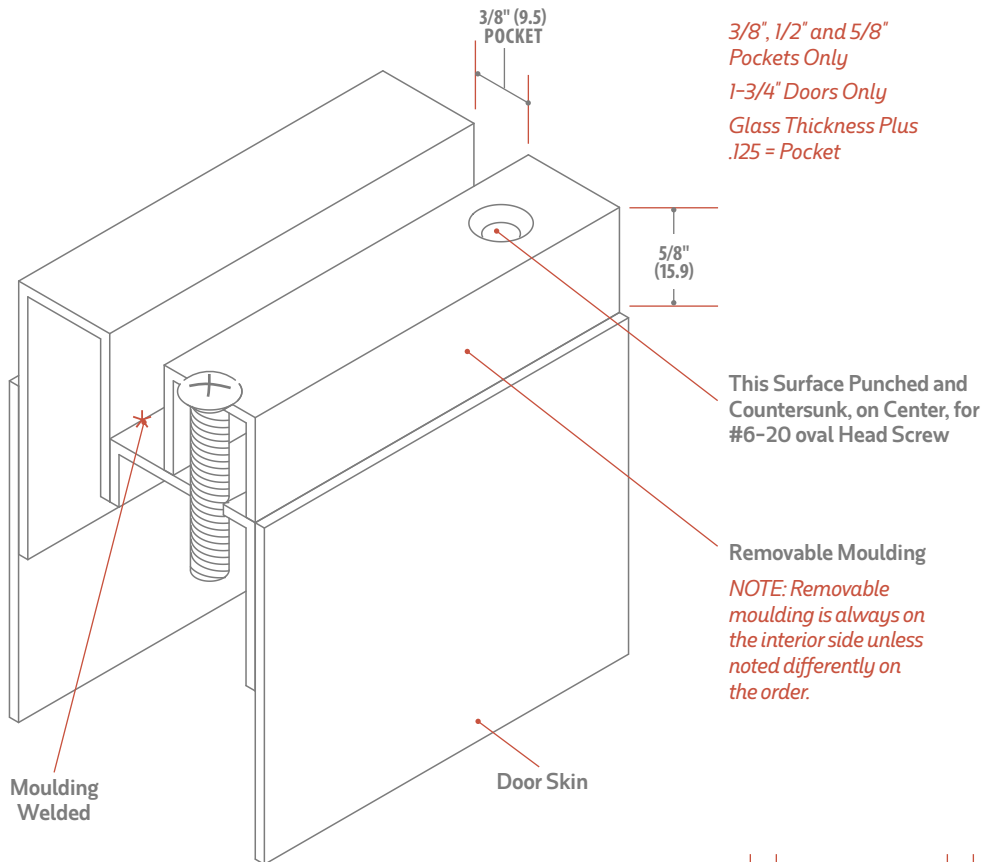
NOTE: On fire label doors use a 6" (152.4) minimum stile between visible glass areas and between visible glass and edges of door.



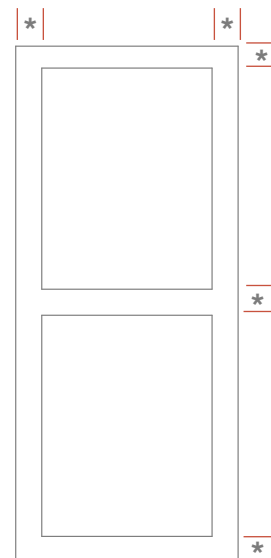
FACE TYPE

CONCEALED GLASS MOULDING

TYPE 3 CONCEALED GLASS MOULDING



3/8", 1/2" and 5/8"
Pockets Only
1-3/4" Doors Only
Glass Thickness Plus
.125 = Pocket



* 3-1/8" (79.3) minimum stile and rail available with type 3 moulding. "No Fire Listing," limited hardware.



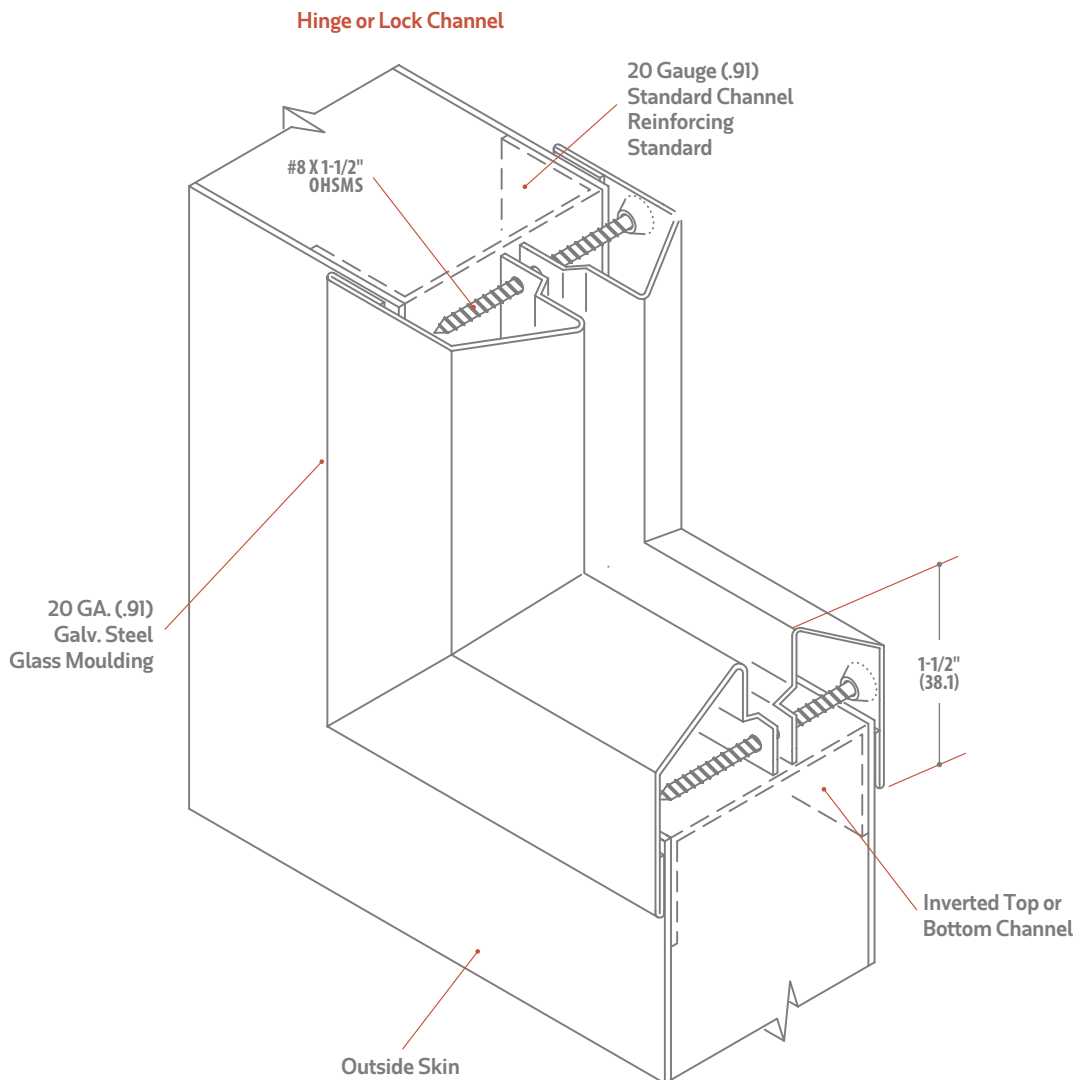
ASSA ABLOY

FOR INFORMATION CALL 800.872.3267
OR VISIT RITEDOOR.COM

FACE TYPE

CUT AWAY VIEW FG MOULDING

TYPE 9 & 10 WINDOW MOULDING



FACE TYPE

FACTORY INSTALLED GLASS

1/4" TEMPERED GLASS

(FIG01) AND (FIG01E)

Glass Description
1/4" Clear Tempered Glass

Quality Rating
Q3, ASTM C1036-06

Thickness
1/4" Nominal

Warranty
1 Year Limited

Includes
PVC Closed Cell Foam
Glazing Tape
Exterior Doors will have
Duo-Sil for Cap Bead

Impact Safety Rating
CAT I, CAT II, CPSC
16CFR1201

Glass is marked in accordance with international building code section 2406. Available on 370 and 374 doors cannot be used on fire rated doors.

1/4" FILMED WIRE GLASS

(FIG02) AND (FIG02E)

Glass Description
1/4" Film Wire, Fire and Impact Safety Rated Glass

Quality Rating
Q3, ASTM C1036-06

Thickness
1/4" Nominal

Warranty
1 Year Limited

Includes
PVC Closed Cell Foam Glazing Tape or Pemko FG 300090 or 300045 as Required, Exterior Doors will have Duo-Sil for Cap Bead

Impact Safety Rating
CAT I, CAT II, CPSC
16CFR1201 and ANSI 297.2
Available on 370, 372 and 374 doors.

Fire Listings
UL and Intertek / Warnock-Hershey approved, positive pressure. Glass is marked in accordance with International Building Code Section 715.4.6 and 2406

RATING	MAX EXPOSED AREA	MAX WIDTH	MAX HEIGHT	DOOR SERIES
20 and 45	1296 Sq. In.	36"	54"	370, 374
45 TR*	100 Sq. In.	12"	33"	372, 374-TR*
60	100 Sq. In.	12"	33"	370, 372, 374, 374-TR*
90	100 Sq. In.	12"	33"	370, 372, 744, 374-TR*
20 and 45	1296 Sq. In.	34"	84"	370, 374
PEMKO FG 300090				
60	552 Sq. In.	12"	46"	370, 374
90	552 Sq. In.	12"	46"	370, 374



ASSA ABLOY

FOR INFORMATION CALL 800.872.3267
OR VISIT RITEDOOR.COM

FACE TYPE

FACTORY INSTALLED GLASS

PYRAN® PLATINUM F GLASS (FIG03) & (FIG03E)

Glass Description
Ceramic, Filmed Fire and Safety Rated Glass

Brand Name
Pyran Platinum F

Grade
Premium

Thickness
3/16" Nominal

Warranty
3 Years Limited

Includes
PVC Closed Cell Foam

Glazing Tape,
Exterior Doors will have Duo-Sil for Cap Bead
Impact Safety Rating
CAT I, CAT II, CPSC
16CFR1201

Fire Listings
UL and Intertek / Warnock-Hershey approved, positive pressure. Glass is marked in accordance with International Building Code Section 715.4.6 and 2406.

RATING	MAX EXPOSED AREA	MAX WIDTH	MAX HEIGHT	DOOR SERIES
20, 45, 60 and 90	2736 Sq. In.	36"	76"	370, 374
45, 60 and 90 TR*	100 Sq. In. per Leaf	12"	33"	372, 374-TR*
180	100 Sq. In. per Leaf	12"	33"	370, 372, 374, 374-TR*

*Temperature rise

PYRAN® PLATINUM L GLASS (FIG04) & (FIG04E)

Glass Description
Ceramic, Laminated Fire and Safety Rated Glass

Brand Name
Pyran Platinum L

Grade
Premium

Thickness
3/8" Nominal

Warranty
5 Years Limited

Includes
PVC Closed Cell Foam
Glazing Tape,
Exterior Doors will have

Duo-Sil for Cap Bead
Impact Safety Rating
CAT I, CAT II, CPSC
16CFR1201

Fire Listings
UL and Intertek / Warnock-Hershey approved, positive pressure. Glass is marked in accordance with International Building Code Section 715.4.6 and 2406.

RATING	MAX EXPOSED AREA	MAX WIDTH	MAX HEIGHT	DOOR SERIES
20, 45, 60 and 90	2736 Sq. In.	36"	75"	370, 374
45, 60 and 90 TR*	100 Sq. In. per Leaf	12"	33"	372, 374-TR*
180	100 Sq. In. per Leaf	12"	33"	370, 372, 374, 374-TR*

*Temperature rise



ASSA ABLOY

FOR INFORMATION CALL 800.872.3267
OR VISIT RITEDOOR.COM

FACE TYPE

FACTORY INSTALLED GLASS

FIRELITE® NT GLASS (FIG05) & (FIG05E)

Glass Description
Ceramic, Filmed Fire and Safety Rated Glass

Brand Name
Firelite NT

Grade
Premium

Thickness
3/16" Nominal

Warranty
3 Years Limited

Includes
PVC Closed Cell Foam Glazing Tape, Exterior Doors will have Duo-Sil for Cap Bead
Impact Safety Rating
CAT I, CAT II, CPSC 16CFR1201 and ANSI Z97.1
Fire Listings
UL approved, positive pressure. Glass is marked in accordance with International Building Code Section 715.4.6 and 2406.

RATING	MAX EXPOSED AREA	MAX WIDTH	MAX HEIGHT	DOOR SERIES
20, 45 and 60	3204 Sq. In.	36"	89"	370, 374
90	2034 Sq. In.	36"	56.5"	370, 374
45, 60 and 90 TR*	100 Sq. In. per Leaf	12"	33"	372, 374-TR*
180	100 Sq. In. per Leaf	12"	33"	370, 372, 374, 374-TR*

*Temperature rise

FIRELITE® PLUS GLASS (FIG06) & (FIG06E)

Glass Description
Ceramic, Laminated Fire and Safety Rated Glass

Brand Name
Firelite Plus

Grade
Premium

Thickness
5/16" Nominal

Warranty
5 Years Limited

Impact Safety Rating
CAT I, CAT II, CPSC 16CFR1201 and ANSI Z97.1
Fire Listings
UL approved, positive pressure. Glass is marked in accordance with International Building Code Section 715.4.6 and 2406.

RATING	MAX EXPOSED AREA	MAX WIDTH	MAX HEIGHT	DOOR SERIES
20 and 45	3204 Sq. In.	36"	89"	370, 374
90	2034 Sq. In.	36"	56.5"	370, 374
45, 60 and 90 TR*	100 Sq. In. per Leaf	12"	33"	372, 374-TR*
180	100 Sq. In. per Leaf	12"	33"	370, 372, 374, 374-TR*

*Temperature rise



ASSA ABLOY

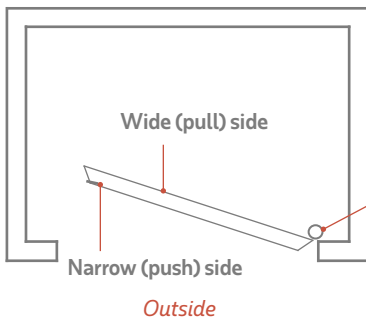
FOR INFORMATION CALL 800.872.3267
OR VISIT RITEDOOR.COM

DOOR SIZES & OTHER OPTIONS

HANDING CHART

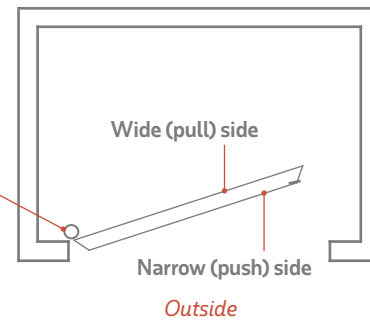
RIGHT HAND DOOR

going into a room to be locked



LEFT HAND DOOR

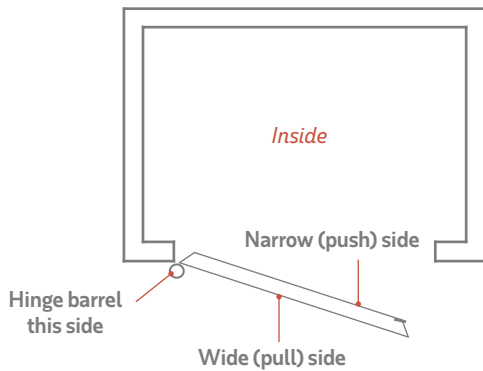
going into a room to be locked



Hinge barrel
this side

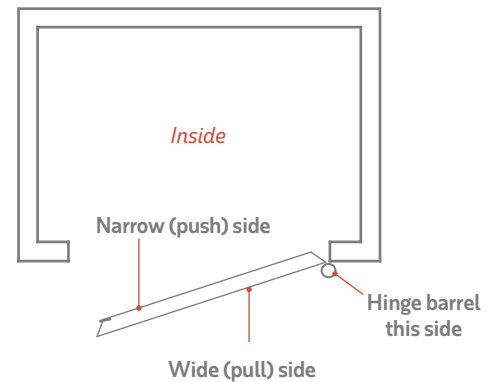
LEFT HAND REVERSE DOOR

going into a room to be locked



RIGHT HAND REVERSE DOOR

going into a room to be locked



DOOR SIZES & OTHER OPTIONS

BEVEL CHART

0° NO BEVEL



3L SINGLE BEVEL STILE



3/3 DOUBLE BEVEL LOCK STILE & HINGE STILE

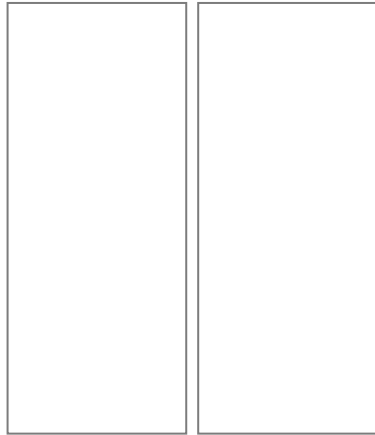


ASSA ABLOY

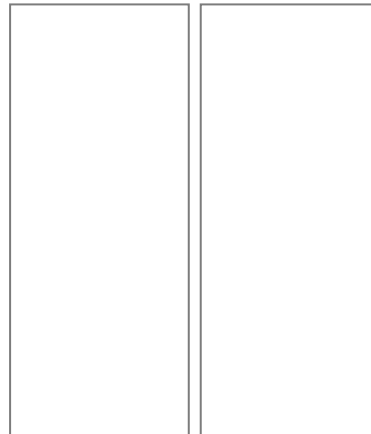
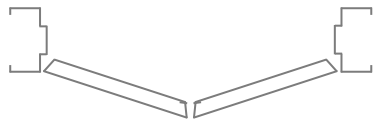
FOR INFORMATION CALL 800.872.3267
OR VISIT RITEDOOR.COM

DOOR SIZES & OTHER OPTIONS

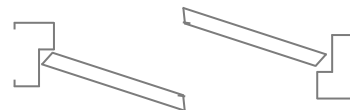
DOOR PAIRING CHART



PR - Standard Pair
UEP - UnEqual Standard Pair



DE - Double Egress Pair
UDE - UnEqual Double Egress Pair



METAL DOOR

THE RITE DOOR

FACE FINISH OPTIONS

METAL DOOR FACE FINISH OPTIONS



PRIMED FOR PAINT STANDARD



PRE-FINISH



PLASTIC LAMINATE (HPL)



STAINLESS STEEL



CURRIStain



CUSTOM COLORS



Adams Rite

ASSA ABLOY

FOR INFORMATION CALL 800.872.3267
OR VISIT RITEDOOR.COM

© 2018, HANCHETT ENTRY SYSTEMS, INC., AN ASSA ABLOY GROUP COMPANY

The RITE Door can be finished in a huge pallet of colors and laminate textures or pre-finished to match existing paints. For painted finishes, The RITE Door is treated after dressing to ensure maximum paint adhesion.

ASSA ABLOY, the global leader in door opening solutions

FACE FINISH OPTIONS

METAL DOOR FACE FINISH OPTIONS

PRE-FINISH OPTIONS - METAL DOOR

FINISH #	FINISH DESCRIPTION	DESCRIPTION
PR6	Prime 6 Sides (Primed Door Only)	Standard factory grey primer
9832-1401B	Gypsum	<p><i>Prefinished/painted colors. 25 standard colors available. For custom color match, send sample for color match and approval.</i></p>
9832-1402B	Radisson	
9832-1403B	Oatmeal	
9832-1404B	Mountain Gray	
9832-1405B	Whiskers	
9832-1406B	Swirling Smoke	
9832-1407B	Whirlwind	
9832-1408B	Hot Stone	
9832-1410B	Stonehenge Greige	
9832-1410B	Pony Tail	
9832-1411B	Confidence	
9832-1412B	Caravel Brown	
9832-1413B	Patches	
9832-1414B	Dark Ash	
9832-1415B	Dover Gray	
9832-1416B	Night Rendezvous	
9832-1417B	Glazed Granite	
9832-1418B	Mostly Metal	
9832-1419C	Night Watch	
9832-1420B	Sailor's Coat	
9832-1421B	Mysterious	
9832-1422C	Gooseberry	
9832-1423B	Phantom Mist	
9832-1424B	Black Forest	
9832-1425B	Black Magic	

FINISH #	FINISH DESCRIPTION	DESCRIPTION
CS-NAT	CURRIEStain - Natural	<p><i>Factory Finished with one of six standard colors. No color match available. Available in Polystyrene Core only.</i></p>
CS-WHT	CURRIEStain - Wheat	
CS-CSH	CURRIEStain - Cashew	
CS-COC	CURRIEStain - Cocoa	
CS-CAB	CURRIEStain - Cabernet	
CS-JAV	CURRIEStain - Java	
HPL*	High Pressure Laminate - Color	<p><i>Specify HPL manufacturer and HPL color when: Wilson Art, Nevermar, and PIONITE</i></p>

*Contact The RITE Door customer service to request a physical sample



FOR INFORMATION CALL 800.872.3267
OR VISIT RITEDOOR.COM

FACE FINISH OPTIONS

PLASTIC LAMINATE (HPL) DOOR FACES



IMPORTANT INFO

- RITE Door will only warranty HPL applied to doors with Honeycomb or Temperature Rise Cores.
- HPL steel doors are NOT recommended and not warranted for exterior use.
- When moving plastic laminate steel doors, carry them. Never drag one across another. Carts and other equipment used to handle these doors must be padded.
- Conditioning of High Pressure Laminate (HPL) steel doors:
 - The High Pressure Laminate and the steel door react differently to temperature changes (contraction and expansion), which can cause the laminate to crack, especially on doors with vision lights.
 - DO NOT deliver or install High Pressure Laminated steel doors until conditions for temperature and relative humidity have been stabilized and will be maintained in the storage and installation areas during the remainder of construction period.
- Plastic Laminate (HPL) steel doors should be installed just prior to substantial completion to avoid damage.
- Refer to proper delivery, receiving, on-site storage and installation guidelines for hollow metal doors as per current NAAMM Standard HMMA 840- no exterior storage.
- Adams Rite Manufacturing will NOT warranty or assume any responsibility for doors not handled per these recommended procedures.



ASSA ABLOY

FOR INFORMATION CALL 800.872.3267
OR VISIT RITEDOOR.COM

METAL DOOR

THE RITE
DOOR

FACE FINISH OPTIONS

CURRISTAIN FINISHES



CURRISTAIN FEATURES

Astragals for pairs of doors are available in an “h” profile, screw applied to the door edge. Astragals are stain color matched to the door.

Stain

Stains used are solvent based products. Uniform application of stain by spraying 1 mil thickness over the entire door surface area and removing the excess stain by brushing or wiping the surface to obtain the desired color and effect. Six color choices are available (natural, wheat, cashew, cocoa, cabernet, or java).

Topcoat

A urethane with UV inhibitors topcoat is spray applied evenly across the surfaces. This UV resistant topcoat provides excellent resistance to normal wear and abuse. This topcoat is proven to be a solid performer for exterior as well as interior installations. The coating system was successfully tested to ANSI Standard A250.3.

NOTE: Substitute door series 372 for 370 when temperature rise listed openings are required. 372 doors use a “Temperature Rise Core” in lieu of polystyrene or polyurethane core.



ASSA ABLOY

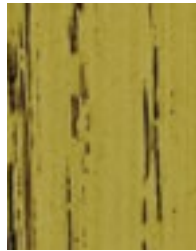
FOR INFORMATION CALL 800.872.3267
OR VISIT RITEDOOR.COM

FACE FINISH
OPTIONS

CURRISTAIN FINISHES



Cabernet



Cashew



Cocoa



Java



Natural



Wheat

CURRISTAIN
SPECIFICATIONS

Flush Doors

- 370 or 372 series in singles or pairs as a handed door (non-handed design not available).
- Available in Polystyrene, Polyurethane, Honeycomb, or Temperature Rise Core.
- Hinge preparation may be 4-1/2 inch or 5 inch, handed in either standard weight (.134) or universal 4-1/2" hinge preparation.
- Lock preparations are limited by the size of the rail only.
- Doors are 1-3/4" thick with 18 or 16 gauge galvanized steel face sheets wood grain embossed .005" deep.
- Edges of the door are available with the "S" visible seam edge only in A bevel (beveled lock edge), b bevel (square lock edge and handed, square hinge edge), or G bevel (beveled lock and hinge edge).
- Maximum door width is 4'0"
Maximum Height is 9'0"
- Doors may be fire rated to 3 hours following typical fire rated door restrictions based on series, gauge, and size. Above 8'0" cannot be fire rated.
- Honeycomb core can be fire rated to 1-1/2" hours up to 4'3" x 9'0" through Intertek.
- Window preparations are available in all standard face types.

NOTE: The 372 series temperature rise door specification may also be used here.

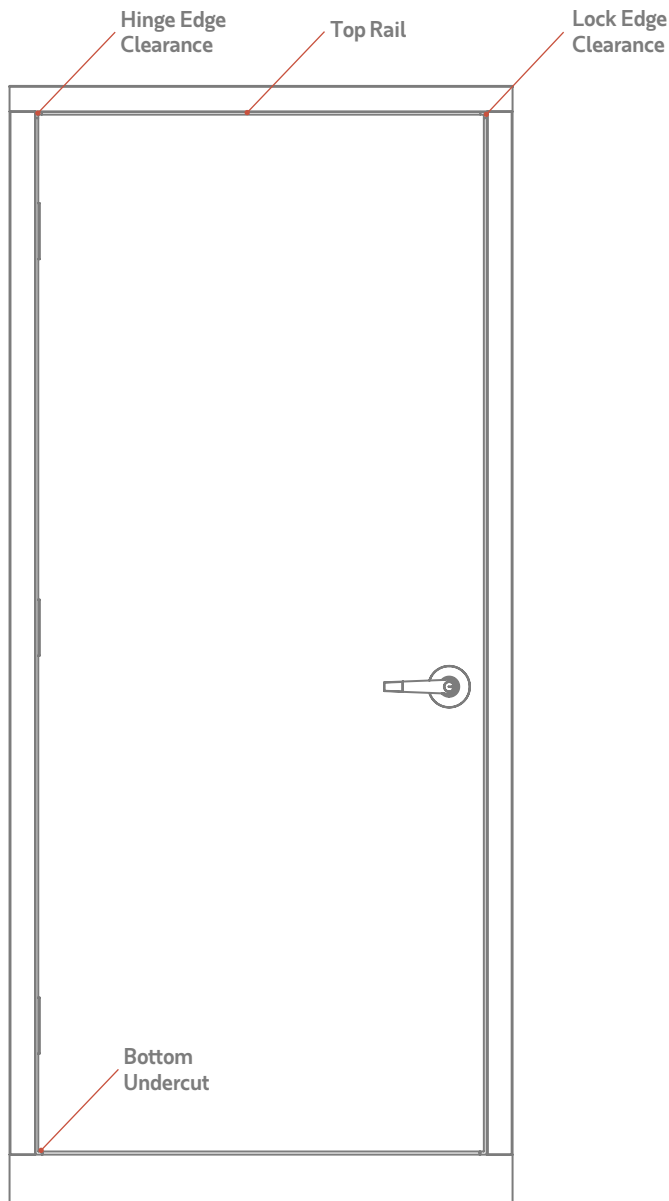


ASSA ABLOY

FOR INFORMATION CALL 800.872.3267
OR VISIT RITEDOOR.COM

CLEARANCES & UNDERCUTS

HINGE AND LOCKSTILE CLEARANCES



BUTT HINGES	SINGLE DOOR
3/32"	Lock Stile*
3/32"	Hinge Stile
CONTINUOUS HINGES	SINGLE DOOR
3/32"	Lock Stile*
Varies	Hinge Stile**
BUTT HINGES	STANDARD PAIR
3/32"	Lock Stile*
3/32"	Hinge Stile
CONTINUOUS HINGES	STANDARD PAIR
3/32"	Lock Stile*
Varies	Hinge Stile**
BUTT HINGES	DOUBLE EGRESS PAIR
3/32"	Lock Stile*
3/32"	Hinge Stile
CONTINUOUS HINGES	DOUBLE EGRESS PAIR
3/32"	Lock Stile*
Varies	Hinge Stile**
UNDERCUTS	ALL DOORS
1/8"	Top Rail
5/8"	Bottom Rail - Standard***

* When edge guards are used the lockstile clearance will change to accommodate the edge guard model.

** Clearance for the hinge stile will be based on the continuous hinge model selected for the door.

*** 5/8" undercut is standard - other undercut dimension will need to be specified in special instructions when ordering the integrated product.



ASSA ABLOY

FOR INFORMATION CALL 800.872.3267
OR VISIT RITEDOOR.COM