

WIRE TRANSFER

D4612

Function

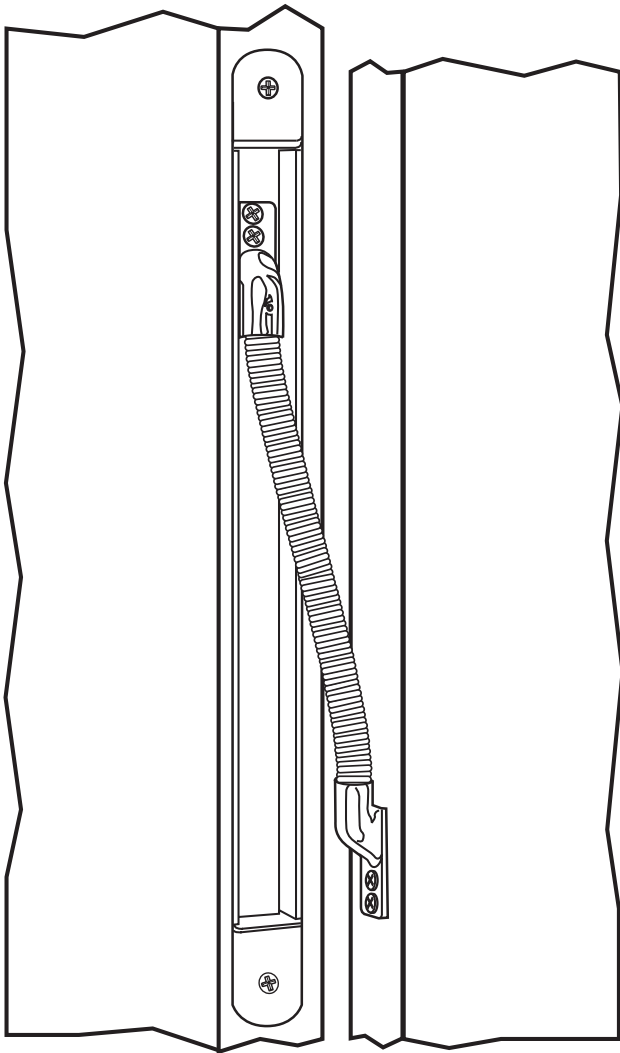
Provides a secure and unobtrusive means of channeling electrical wiring from the door frame into the door itself, for powering electric strikes, locks, exit bars, etc. Suitable for any door hung with butt-type hinges, including continuous or pivots offset 3/4" or less. (Not compatible with center-pivot doors.)

Conduit

Spring steel helix has internal diameter of approximately 5/16". This provides ample room for multiple wires of the low voltage type used with most electrical hardware.

Housing

Stamped steel, approximately 1/16" thick. Short (105 degree swing) version shown is 11-1/2" long. 180 degree version is 20-5/32" long. Chrome finish.

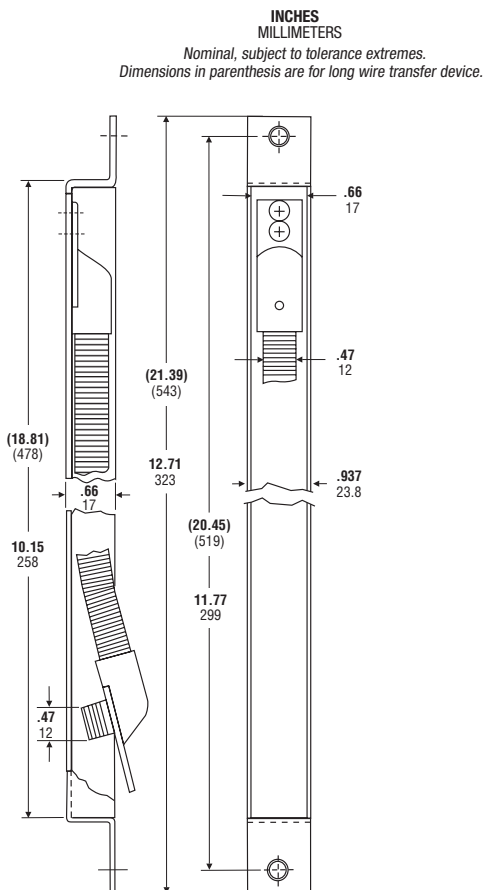


LISTED

AMQV-Flexible Connector
for Burglary Protection
GVUX-Misc. Fire Door
Accessories

WIRE TRANSFER

Dimensions



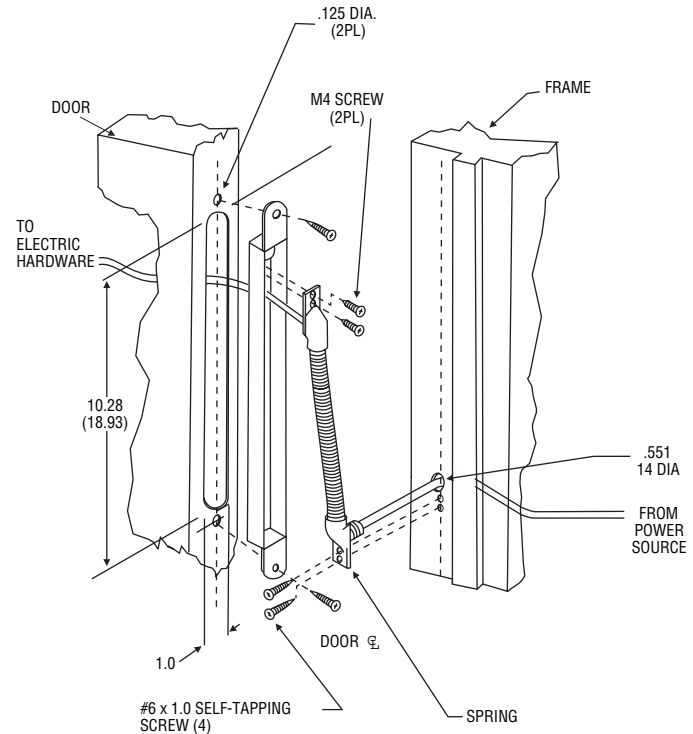
How to Order

Specify quantity and the following information.

Door Swing	
1	105°
2	180°
3	SP Series (Swing Clear Hinges)

D4612 - 1

Installation



Door & Frame Prep

1. Dimensions in parenthesis are for long wire transfer device (180°) only.
2. Transfer is designed to protect the wire. Care should be taken when inserting wires through this device.
3. Only stranded wires to be employed.
4. Size and number of wires must comply with the National Electric Code, NFPA and local authorities having jurisdiction. Wire size shall be at least 22 gauge.
5. This device is intended for low voltage use only (30 VAC, 42.5 VDC, 10 W max).
6. Wire should be labeled, appliance wiring material with minimum 1/32" thick insulation.

Options

Standard (short) version suits doors that swing up to 105 degrees. A longer version is available for doors that open 180 degrees.

Standard Package

Individually boxed with fasteners as required for each application type: wood, steel or aluminum. Shipping weight approximately 1 lb.