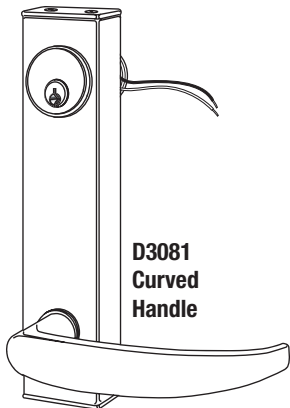




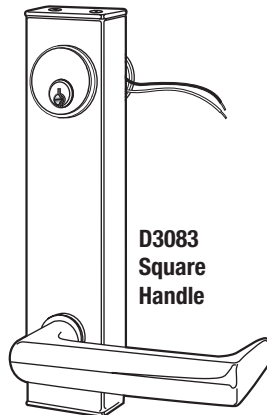
ELECTRIFIED ENTRY TRIM



D3081
Curved
Handle



D3082
Round
Handle



D3083
Square
Handle

D3080E Series For 3000/8000 Series Exit Devices

Heavy Duty Clutch

Breakaway clutching mechanism protects the locked handle from vandalism or forced entry, in either direction. This also makes the trim rehandable in the field.

Function

The 3080E Series provides outside activation of wood, hollow metal or narrow stile aluminum doors that have any type of Adams Rite Exit Device. A continuous duty solenoid mounted to the trim enables remote activation of the locking function without unlatching the door, making this trim ideal for stairwell and fire doors. The 3080E Series operates as specified in either 12 (.5 amp) or 24 (.25 amp) VDC, using a rectifier and transformer. Accepts any standard mortise cylinder with MS cam.

Escutcheon

Measures approx. 2" x 8" x 1-1/4". Can be ordered with or without a cylinder hole for key override control.

Modular Construction

All models share the same core components, so handles can be changed without having to replace the entire trim. Solid construction meets Grade 1 standards.

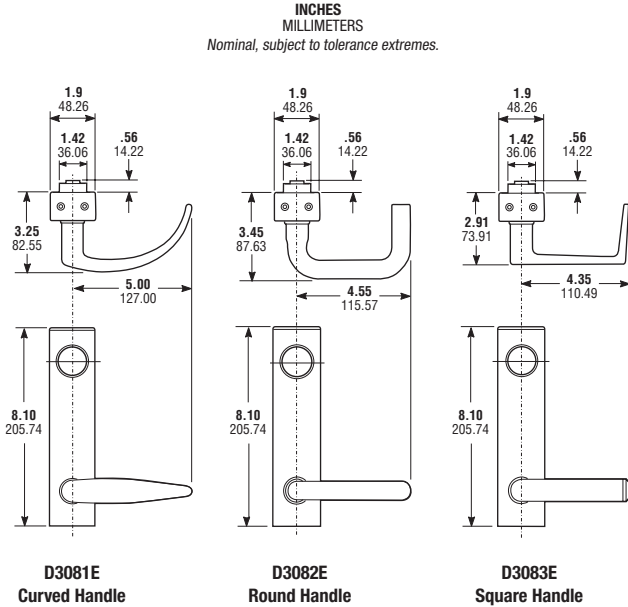
Fail Safe/Fail Secure

Trim can be ordered Fail Secure or Fail Safe.

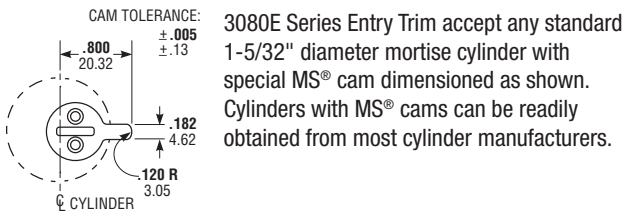


ELECTRIFIED ENTRY TRIM

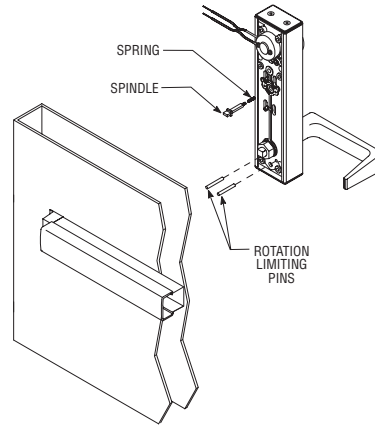
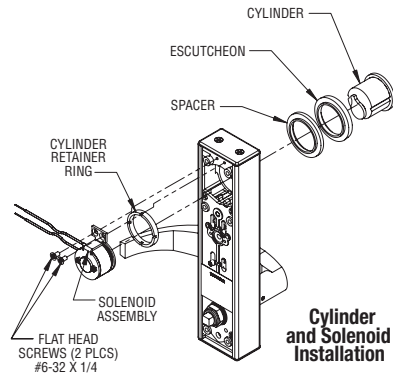
Dimensions



Cylinder Cam



Installation



Door Preparation and Trim Installation

Door prep and installation will differ depending on type of exit device being used. Refer to Adams Rite Templates for 3080 Series Entry Trim preparation details.

How to Order

Specify quantity and the following information.
Order related hardware separately

Handle	Add for Electric Version	Cylinder Hole	Exit Device	Function
1 Curved 2 Round 3 Square		3 with hole 9 w/o hole	3 Mortise 5 Inset 9 None	0 Fail Secure 5 Fail Safe

D308 1E - 3 3 - 3 0 - US3

Voltage	Finish
3 12 Volt DC 5 24 Volt DC	US3 Bright Brass US4 Satin Brass US9 Bright Bronze US10 Satin Bronze US10B Dark Bronze US26 Bright Chrome US26D Satin Chrome

Options

Can be ordered with or without a hole for cylinder. Order standard mortise cylinder with MS cam separately. Order D4603 Rectifier, D4605/4606 Transformer or a D-PS-1 Power Supply separately.

Standard Package

Individually boxed with all mounting hardware. Shipped with handle in neutral position. Shipping weight approx. 3 lbs.