

# QUOTES/ ORDERING

## DIRECTIONS

Below is a list of items that will help provide an accurate base quote when the bidding process begins. It is always important to list any and all information associated with the opening when requesting a quote.

- Supplying a proper take-off is required for a good base quote.
- Copy of Integrated Door Assembly Specification.
- Copy of hardware sets & Hardware Finish specifications.
- Fill out order form.
- Specify Face Finish (Prime, HPL, Pre-finished Paint) Wood Veneer is not available.
- Specify whether closers, magnets, kickplates & other misc. hardware are required.
- List all options & accessories that are to be provided with doors. Electrified hardware, wire loops, vision lites, etc.
- Seals are included in all quotes unless otherwise specified.
- Quotes will be done on a formal quote basis only. *Phone quotes are NOT acceptable.*
- Please allow 24 - 48 Hrs to process quotes.
- Frames - *Optional-Please indicate if frames must be included.*
- Substitution Approval

## SUBMITTING QUOTE/ORDER REQUEST

You can submit requests

- **Email:** [rite.door@assaabloy.com](mailto:rite.door@assaabloy.com)
- **Fax:** 1-800-232-7329



FOR INFORMATION CALL 800.872.3267  
OR VISIT RITEDOOR.COM

# QUOTES/ ORDERING

## ORDERING PROCESS

When the customer is ready to order the doors it is best to fill out the order form as best as possible. Missing information will only delay the order.

Here is a list of items that are most commonly left off when the order is placed..

- Fire Rating
- Handing of the Doors
- Undercuts
- Trim Style and whether they need it with or without cylinder preps
- Butt hinge locations
- Door Tag #'s
- Type of Continuous Hinge/Finish
- ADA Application
- Valid RITE Door quote number

*It is very important for the customer to do his or her homework before the order is placed. Existing applications will require field measurements. Nominal Frame Sizes are always required.*

# ORDER FORM

## MAIN PROJECT INFO

QUOTE/ORDER DATE	QUOTE #	REQ DATE	RITE DOOR AR#
<b>DIST #:</b>			
<b>CUSTOMER:</b>			
<b>PROJECT:</b>			
<b>CITY</b>			
<b>PROJECT CONTACT:</b>			
<b>PHONE:</b>			
<b>FAX:</b>			
<b>CUST E-MAIL:</b>			
<b>DSS REP</b>			
<b>DSS EMAIL</b>			

RITE DR CONTACT	PHONE#	EMAIL

SHIPPING METHOD	SHIPPING ADDRESS
Pool	
LTL	
Service Center	
Customer Pick-Up	

JOBSITE CONTACT INFORMATION	
Shipping to the Jobsite?	
Jobsite Contact	
Phone	
Spec Inst.	

***OFFICE USE ONLY***					
Material Type	MFG	Order # - MFG	ESD	Order# - SYS	Proj ESD



FOR INFORMATION CALL 800.872.3267  
OR VISIT RITEDOOR.COM

# ORDER FORM

## MAIN PROJECT INFO

### LINE ITEM

	<b>WOOD (W) OR METAL (M)</b>
	<b>ID MARK</b>
	<b>QUANTITY</b>
	<b>SERIES</b>
	<b>CONSTRUCTION</b>
	<b>ADDITIONAL INFO</b>
	<b>EDGE CONSTRUCTION</b>
	<b>LABEL</b>
	<b>RATING</b>
	<b>VENEER SPECIES / STEEL TYPE</b>
	<b>VENEER PLY / STEEL GAGE</b>
	<b>FACE TYPE</b>
	<b>LITE SIZE / LOC ELEVATION</b>
	<b>MOULDING / LITE KIT</b>
	<b>GLASS TYPE</b>

	<b>GLASS THICKNESS</b>	
	<b>FEET</b>	<b>NOM WIDTH</b>
	<b>INCHES</b>	
	<b>FEET</b>	<b>NOM HEIGHT</b>
	<b>INCHES</b>	
	<b>THICKNESS</b>	
	<b>HAND</b>	
	<b>BEVEL</b>	
	<b>FRAME MFG</b>	
	<b>SET</b>	
	<b>GROUP</b>	
	<b>HARDWARE SET</b>	
	<b>SPL HDW LOC ELEVATION</b>	
	<b>PREFINISH (WOOD) / FACE FINISH (METAL)</b>	
	<b>UNDERCUT</b>	

<b>SPECIAL INSTRUCTIONS: DOORS:</b>		<b>FRAME INCLUDED?</b>
<b>SPECIAL INSTRUCTIONS: FRAMES:</b>		<b>FRAME MFG NEEDS TO BY "CU"</b>

### FRAME DETAIL

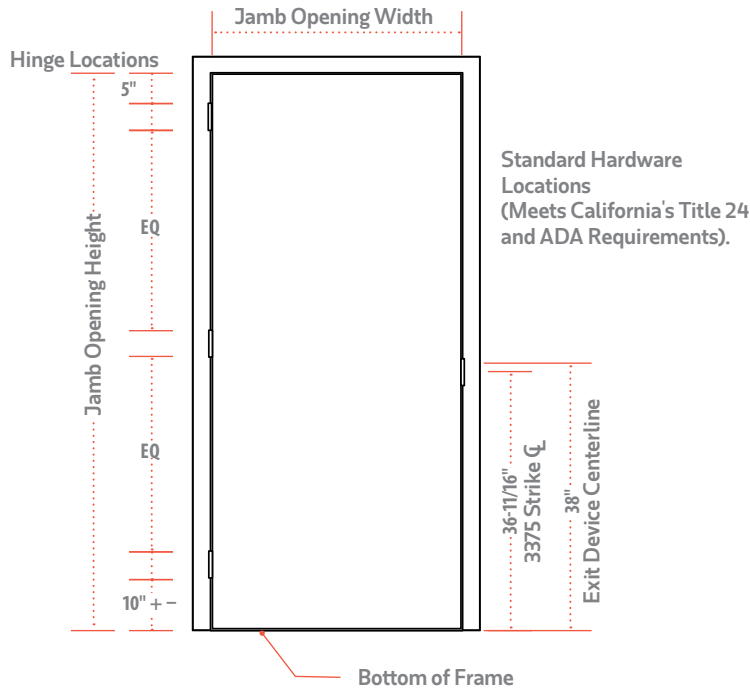
OPENING TYPE	FRAME PROFILE	OFFSET DBL EGR JAMB?	METAL GAGE	STEEL TYPE	JAMB DEPTH INCHES	JAMB DEPTH FRAC	FINISH	4" FRAME HEAD OPTION?	HINGE JAMB LEGS	WELD CONSTR	ANCHOR TYPE	STOP OPTION



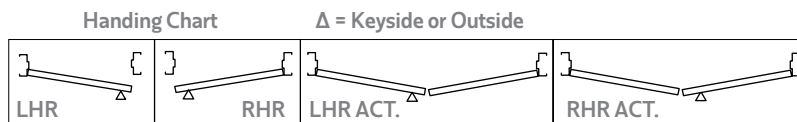
FOR INFORMATION CALL 800.872.3267  
OR VISIT RITEDOOR.COM

# HARDWARE LOCATIONS

## DRAWING



DO NOT USE FOR OTHER TRADES

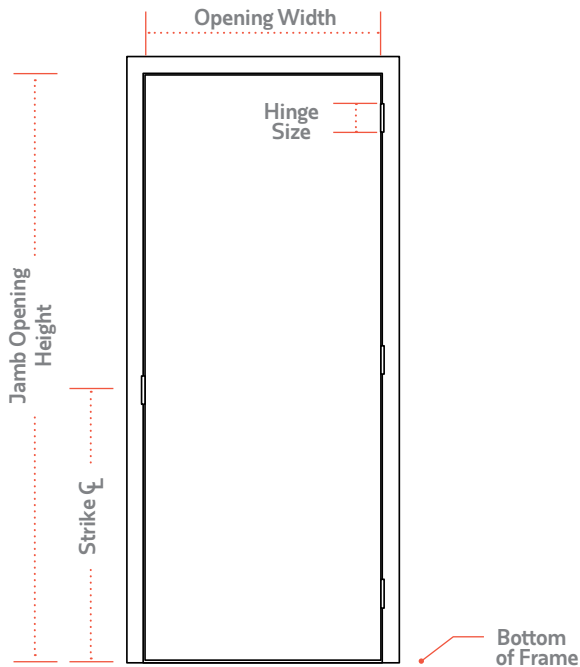


### GENERAL NOTES

1. These drawings have been prepared for reference use only. We will not be responsible for any errors incurred through their use by other trades upon request.
2. We cannot fabricate until we receive an approved copy of our submittal drawings and an approved, and corrected hardware schedule.
3. The Exit Device is factory installed. Factory installation of the cont. Hinge and kickplate is optional.
4. All other hardware to be installed in field by others.
5. All doors and frames will be mortised, reinforced, drilled and tapped for all mortise hardware and reinforced only for surface mounted hardware.
6. If any anchor or pivot reinforced hinges are specified. We will only pre-mortise and reinforce. Drilling and tapping will be done in the field by others.
7. If field joints are required due to shipping limitations, or other fasteners for attaching our products to other trades.
8. We do not furnish screws, bolts, expansion shields or other fasteners for attaching our products to other trades.
9. Frames must be set absolutely plumb, square and level.
10. All glazing and glazing gaskets are by others.
11. It is the contractor's responsibility to note short or damaged deliveries on bill of lading at time of delivery.
12. The fire label is a manufacturing certification only. Proper installation and wall construction are the responsibility of others.

# VERIFICATION OF EXISTING CONDITIONS

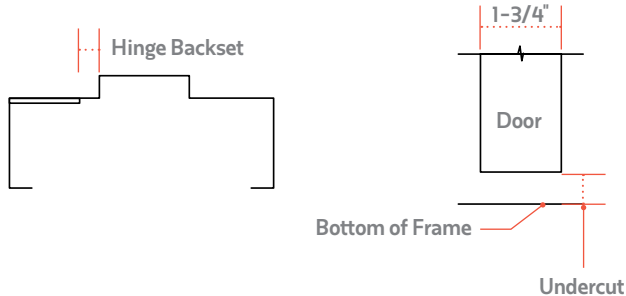
DRAWING



\*Indicate Strike Centerline for 3375 Mortise

Opening #

Handing:



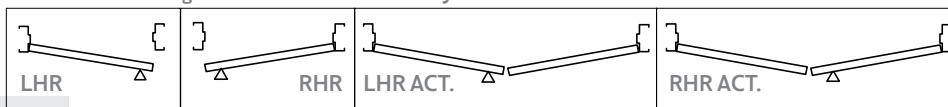
## INFORMATION REQUIRED PRIOR TO FABRICATION

1. Opening dimensions – width and height
2. Hinge locations – from opening height dimension at head of frame to top of each hinge
3. Hinge Size – height and width
4. Hinge Backset – see detail on side (11/32" STD.)
5. Handing – see handing chart
6. Hardware Schedule – all hardware items listed with part numbers

*NOTE: All dimensions of this sheet should be frame dimensions, not door dimensions. If you are taking measurements from a door, be sure to add for clearance between the door and frame. Normally 1/8".*

Handing Chart

$\Delta$  = Keyside or Outside



ASSA ABLOY

FOR INFORMATION CALL 800.872.3267  
OR VISIT RITEDOOR.COM

# TERMS & CONDITIONS

ON SALE

## CONDITIONS

- Written purchase orders are required.
- RITE Door will send a written confirmation of all orders and change orders.
- It is the responsibility of the customer to verify information & immediately notify RITE Door of any discrepancies or changes. This must be done within two days of receiving confirmation or additional fees may apply.

## CANCELLATIONS

- All sales are final. Any orders cancelled will be subject to a cancellation charge depending on the material and state of production. Special order material is not subject to cancellation once fabrication has begun.

## RETURNS

- No merchandise may be returned for credit without written return authorization from RITE Door. Merchandise returned is then subject to inspection and must be complete and saleable. Any expenses incurred to make said material saleable will be charged to the buyer. Special order material is not returnable.
- Net 30 days FOB point of shipment
- Shipments and deliveries are subject to credit approval by RITE Door.
- All prices are FOB point of shipment. Freight charges to be paid by customer.
- No taxes are included.
- All orders are subject to the terms & conditions herein.



FOR INFORMATION CALL 800.872.3267  
OR VISIT RITEDOOR.COM

# PRODUCT SPECIFICATION GUIDE

## PREFACE

This Specification Guide is intended to provide reference material for the specifying of Integrated Door Opening Systems into project specifications.

Detailed product specification information is provided as a guide. It is the purpose of this information to aid in the completion of a CSI three-part formatted general specification for Section 08150 for Integrated Door Opening Assemblies. This is the current CSI section format for Pre-assembled Metal Door and Frame Assemblies. The new MasterFormat™ will change this to Section 081700 for Integrated Door Opening Assemblies.

This Specification Guide is not intended for use as a final product specification. Each project

is unique and decisions regarding product applications and equivalency are the sole responsibility of a professional door openings consultant and specification writer to evaluate and determine the appropriate product selection for a specific opening application.

The manufacturer does not and will not take any responsibility for the consequences of using the content of this guide for any specific project specification. The manufacturer shall not be liable for any direct, indirect or consequential damages.

*For specification assistance contact RITE Door Manufacturing at 800.872.3267 or [www.ritedoor.com](http://www.ritedoor.com).  
For a directory of certified consultants contact the Door & Hardware Institute at 703.222.2010 or [www.dhi.org](http://www.dhi.org).*



FOR INFORMATION CALL 800.872.3267  
OR VISIT RITEDOOR.COM



SECTION  
081700

## PART 1 – GENERAL

**1.1 RELATED DOCUMENTS**

- Drawings and general provisions of the Contract, including General and Supplementary Conditions and Division 01 Specification Sections, apply to this Section.

**1.2 SUMMARY****Section Includes**

1. Integrated door opening assemblies including metal frame, integrated door system with operating hardware, and associated door hardware as specified in this section.
2. Factory finishing of wood doors.
3. Factory finishing of hollow metal doors.
4. Factory fitting and hardware preparation for doors and frames.

**Related Sections**

- Division 01 Section "Sustainable Design Requirements" for additional LEED documentation and requirements.
- Division 08 Section "Hollow Metal Doors and Frames" for integrated assembly doors installed in standard hollow metal frames.
- Division 08 Section "Glazing" for glass view panels in integrated assemblies.
- Division 08 Section "Automatic Door Operators" for power assisted door operators installed at integrated assembly openings.
- Division 09 Section "Interior Painting" for field painting integrated assembly doors and frames.
- Division 26 "Electrical" Sections for electrical connections including conduit and wiring for door controls and operators installed on integrated assembly doors and frames with factory installed electrical knock out boxes.
- Division 28 Section "Access Control" for access control devices installed at integrated assembly openings and provided as part of a security access control system.

**Codes and References**

Comply with the version year adopted by the Authority Having Jurisdiction.

- ANSI A117.1 – Accessible and Usable Buildings and Facilities.
- ANSI A156.32 – Integrated Door Opening Assemblies.
- ANSI/SDI A250.4 – Test Procedures for and Acceptance Criteria for Physical Evidence for Steel Doors and Reinforcement.
- ANSI/SDI A250.6 – Recommended Practice for Hardware Reinforcing on Standard Steel Doors and Frames.
- ANSI/SDI A250.8 – Recommended Specifications for Standard Steel Doors and Frames.
- ANSI/SDI A250.11 – Recommended Erection Instructions for Steel Frames.
- Forestry Stewardship Council (FSC) – Guidelines for environmentally certified wood doors.
- Intertek Testing Service (ITS Warnock Hersey) – Certification Listings for Fire Doors.
- United States Green Building Council (USGBC).
- Window and Door Manufacturers Association – WDMA I.S.1-A Architectural Wood Flush Doors.
- ICC/IBC – International Building Code.
- NFPA 70 – National Electrical Code.
- NFPA 80 – Fire Doors and Windows.
- NFPA 101 – Life Safety Code.
- NFPA 105 – Installation of Smoke Door Assemblies.
- UL 10C – Positive Pressure Fire Tests of Door Assemblies.
- CARB – California Air Resources Board.
- State Building Codes, Local Amendments.

**Standards:**

All hardware specified herein to comply with the current version year of the following industry standards:

- ANSI/BHMA Certified Product Standards, A156 Series.



ASSA ABLOY

FOR INFORMATION CALL 800.872.3267  
OR VISIT RITEDOOR.COM

SECTION  
081700

## PART 1 – GENERAL

## 1.3 SUBMITTALS

**Product Data**

- Manufacturer's product data sheets including integrated opening assemblies construction and installation details, material descriptions, core descriptions, hardware reinforcements, profiles, anchorage, fire resistance rating, operational descriptions and finishes.

**Door Hardware Schedule**

Organize the Door Hardware Schedule into door hardware sets indicating complete designations of every item required for each door or opening. Comply with scheduling sequence and vertical format in DHI's "Sequence and Format for the Hardware Schedule." Include the following information:

- Type, style, function, size, label, hand, and finish of each door hardware item.
- Manufacturer of each item.
- Fastenings and other pertinent information.
- Location of door hardware set, cross-referenced to Drawings, both on floor plans and in door and frame schedule.
- Explanation of abbreviations, symbols, and codes contained in schedule.
- Mounting locations for door hardware.

**Shop Drawings****Include the following:**

- Elevations of each door design.
- Details of door and frames types including dimensioned profiles and metal thicknesses.
- Locations of reinforcement and preparations for hardware.
- Details of anchorages, joints, field splices, and connections.
- Details of accessories.
- Details of moldings, removable stops, and glazing.
- Details of conduit and preparations for power, signal, and control systems.
- Provide all dimensions necessary required to complete recessed pockets.

**LEED Submittals**

- **Product Data for Credit MR 4:** For products having recycled content, documentation indicating percentages by weight of postconsumer and preconsumer recycled content.
  - Include statement indicating cost for each product having recycled content.
- **Product Certificates for Credit MR 5 (LEED CI only):** For products and materials required to comply with requirements for regionally manufactured materials. Include statement indicating cost for each regionally manufactured material.
  - Include statement indicating location of manufacturer and distance to Project for each regionally manufactured material.
- **Certificates for Credit MR 6:** Manufacturer's certificates indicating that products qualify as rapidly renewable products.
  - Include statement indicating cost for each rapidly renewable product.
- **Certificates for Credit MR 6 (LEED CS only) or Credit MR 7:** Chain-of-custody certificates indicating that flush wood doors comply with forest certification requirements. Include documentation that manufacturer and supplier is certified for chain of custody by an FSC-accredited certification body.
  - Include statement indicating cost for each certified wood product.
- **Product Data for Credit IEQ 4.4:** For adhesives and composite wood products, documentation indicating that product contains no added urea formaldehyde.
- **Laboratory Test Reports for Credit IEQ 4.1 (LEED for Schools only):** For adhesives, documentation indicating that products comply with the testing and product requirements of the California Department of Health Services "Standard Practice for the Testing of Volatile Organic Emissions from Various Sources Using Small-Scale Environmental Chambers."
- **Laboratory Test Reports for Credit IEQ 4.2 (LEED for Schools only):** For paints and coatings, documentation indicating that products comply with the testing and product requirements of the California Department of Health Services "Standard Practice for the Testing of Volatile Organic Emissions from Various Sources Using Small-Scale Environmental Chambers."
- **Laboratory Test Reports for Credit IEQ 4.4 (LEED for Schools only):** For composite wood products, documentation indicating that products comply with the testing and product



ASSA ABLOY

FOR INFORMATION CALL 800.872.3267  
OR VISIT RITEDOOR.COM

SECTION  
081700

## PART 1 – GENERAL

requirements of the California Department of Health Services' "Standard Practice for the Testing of Volatile Organic Emissions from Various Sources Using Small-Scale Environmental Chambers."

**Keying Schedule**

- Reference Division 08 Section "Door Hardware" for keying requirements.

**Informational Submittals**

- **LEED Documentation:** Submit manufacturer's environmental documentation and applicable sustainability program credits for MR-4 and that are specified herein. Submit manufacturer's health product declaration (HPD) for products of this section.

**Operating and Maintenance Manuals**

- Provide manufacturers operating and maintenance manuals for each item comprising the complete integrated assembly installation in quantity as required in Division 01, Closeout Submittals. The manual to include the name, address, and contact information of the manufacturers providing the installed assemblies and their nearest service representatives. The final copies delivered after completion of the installation test to include "as built" modifications made during installation, checkout, and acceptance.

**Warranties and Maintenance**

- Special warranties and maintenance agreements specified in this Section.

**1.4 QUALITY ASSURANCE****Quality Standard**

- In addition to requirements specified, comply with ANSI A156.32, latest edition, "Integrated Door Opening Assemblies".

**Source Limitations**

- Obtain complete integrated opening assemblies, including metal frame and integrated door system with operating hardware, through one source and from a single manufacturer wherever possible.

**Supplier Qualifications**

- Factory authorized distributor of manufacturer(s) systems and products. Submit written documentation upon request.

**Installer Qualifications**

- Installers acceptable by the primary assembly manufacturer, with a minimum [3] years documented experience installing both standard and electrified integrated door opening assemblies similar in material, design, and extent to that indicated for this Project and whose work has resulted in construction with a record of successful in-service performance.

**Regulatory Requirements**

Comply with NFPA 70, NFPA 80, NFPA 101 and ANSI A117.1 requirements and guidelines as directed in the model building code including, but not limited to, the following:

- Where indicated to comply with accessibility requirements, comply with Americans with Disabilities Act (ADA), "Accessibility Guidelines for Buildings and Facilities (ADAAG)," ANSI A117.1 as follows:
  - **Handles, Pulls, Latches, Locks, and other Operating Devices:** Shape that is easy to grasp with one hand and does not require tight grasping, tight pinching, or twisting of the wrist.
  - **Door Closers:** Comply with the following maximum opening-force requirements indicated:
    - *Interior Hinged Doors:* 5 lbf applied perpendicular to door.
    - *Fire Doors:* Minimum opening force allowable by authorities having jurisdiction.
- **NFPA 101: Comply with the following for means of egress doors:**
  - **Latches, Locks, and Exit Devices:** Not more than 15 lbf to release the latch. Locks shall not require the use of a key, tool, or special knowledge for operation.
  - **Thresholds:** Not more than 1/2 inch high.



ASSA ABLOY

FOR INFORMATION CALL 800.872.3267  
OR VISIT RITEDOOR.COM

SECTION  
081700

## PART 1 – GENERAL

- **Fire-Rated Door Assemblies:** Provide door hardware for assemblies complying with NFPA 80 that are listed and labeled by a testing and inspecting agency acceptable to authorities having jurisdiction, for fire ratings indicated, based on testing according to NFPA 252 (neutral pressure at 40" above sill) or UL-10C.
  - **Test Pressure:** Positive pressure labeling.
- **Pre-Submittal Conference:** Conduct coordination conference in compliance with requirements in Division 01 Section "Project Meetings" with attendance by representatives of Supplier(s), Installer(s), and Contractor(s) to review proper methods and the procedures for receiving, handling, and installing integrated door opening assemblies.
  1. Prior to installation, arrange for manufacturers' representatives to hold a project specific training meeting to instruct the installing contractors' personnel on the proper installation and adjustment of their respective products. Training will include the use of installation manuals, hardware schedules, templates and physical product samples as required.
  2. Inspect and discuss electrical roughing — in, power supply connections, and other preparatory work performed by other trades.
  3. Review sequence of operation narratives for each unique access controlled opening.
  4. Review and finalize construction schedule and verify availability of materials.
  5. Review the required inspecting, testing, commissioning, and demonstration procedures.

## 1.5 DELIVERY, STORAGE, AND HANDLING

Deliver products to the project site under provisions Division 01 Section "Product Storage and Handling Requirements".

- Inspect doors, frames, and hardware with representatives of the supplier to verify shipment is complete and to rectify discrepancies promptly.
  - Integrated door assembly systems to be delivered to the job site complete with necessary screws, miscellaneous parts, instructions, and installation templates.
  - Each package legibly and properly labeled to correspond to the approved Door Schedule.

**Furnish integrated door opening assemblies with operating hardware flush to door skin, using protective wrappings and spacers between projecting hardware.**

- Maintain and protect door assemblies using cardboard spacers and protective edge guards along the door edges, to reduce exposure to marring or damage during storage.

**Store integrated door opening assemblies in dry and secure area.**

- Do not store electronic access control software, credentials, or accessories at Project site without prior authorization.

## 1.6 PROJECT CONDITIONS

**Field Measurements**

- Verify actual dimensions of openings by field measurements before fabrication.



ASSA ABLOY

FOR INFORMATION CALL 800.872.3267  
OR VISIT RITEDOOR.COM

# SECTION 081700

## PART 1 – GENERAL

### 1.7 COORDINATION

#### Electrical Connections

- Coordinate the layout and installation of scheduled electrified hardware and related access control equipment with required connections to source power junction boxes, low voltage power supplies, detection and monitoring hardware, and fire and detection alarm systems.

### 1.8 WARRANTY

#### General Warranty

- Reference Division 01, General Requirements. Special warranties specified in this Article will not deprive Owner of other rights Owner may have under other provisions of the Contract Documents and are in addition to, and run concurrent with, other warranties made by Contractor under requirements of the Contract Documents.

#### Special Warranty Periods

- Manufacturer's standard written form, with the exceptions noted below, warranting integrated door opening assemblies to be free of defect in material or workmanship under normal use for a period of five (5) years.
  - **Continuous Hinges:** Up to twenty-five (25) years.
  - **Door Closers:** Up to twenty-five (25) years.

#### Warranty includes the manufacturer

- At their sole option, agreeing to repair or replace products or parts found to be defective in material or workmanship according to details contained in the warranty certificate.

### 1.9 MAINTENANCE SERVICE

#### Maintenance Tools and Instructions

- Furnish a complete set of specialized tools and maintenance instructions as needed for Owner's continued adjustment, maintenance, and removal and replacement of integrated door opening assemblies.



FOR INFORMATION CALL 800.872.3267  
OR VISIT RITEDOOR.COM

SECTION  
081700

## PART 2 – PRODUCTS

## 2.1 MANUFACTURERS

**Manufacturers:**

Subject to compliance with requirements, provide products by the following:

1. Adams Rite Manufacturing (AR) – The RITE Door.
2. **Substitutions:** Requests for substitutions and product approval for inclusive integrated door opening assembly

systems in compliance with the specifications must be submitted in writing and in accordance with the procedures and time frames outlined in Division 01, Substitution Procedures. Approval of requests is at the discretion of the architect, owner, and their designated consultants.

## 2.2 MATERIAL REQUIREMENTS

**Doors and Frames****Doors**

- 1-3/4" thickness, with no visible seams or spot welds on door face, conforming to manufacturer's standard integrated assembly system construction. Door face skins minimum 18 gauge, cold rolled steel, with either a Honeycomb or Polystyrene type core. Doors to be constructed with a U-shaped, 16 gauge steel reinforcement channel, top and bottom, for the installation of door hardware accessories and supplied with a 18 gauge top cap.

**Frames**

- Minimum 16 gauge, ASTM A366 cold rolled steel, complying with ANSI/SDI A250.8. Furnish frames with mitered corners, continuously welded and ground smooth on frame face. Prepare frames with 14 gauge reinforcements for applied hardware and provide suitable adjustable type anchors for wall condition, minimum 4 each per jamb.

**Fire Rated Doors and Frames**

- Fabricate in accordance with NFPA 80, listed and labeled by a qualified testing agency, for the fire protection ratings indicated.

**Door Hardware**

1. Provide a complete integrated door opening assembly, including the installation and adjustment of the latching mechanism within the door construction.
2. Integrated exit device hardware to be clean and

unobtrusive in design with a minimal bar height of 2-7/16". Push rails not exceed a projection of 1-1/8" when in the latched position and be made of heavy duty aluminum extrusion, available in anodized and architectural finishes using metal cladding. Exit device end caps to be of metal construction.

3. Push and pull hardware to be clean and unobtrusive in design with a maximum projection of 1/4" on pull side and 5/8" on the push side.
4. Lever handles to be clean and unobtrusive in design with a maximum projection of 3-1/2" and match design of similar lever locking hardware furnished on project.
5. Door hardware to include the following minimum products for each integrated door opening assembly as specified in the Door Hardware Sets under Part 3.
  - **Hanging Device:** Continuous Hinges (geared or pinned), Pocket Pivots, or Offset/Intermediate Pivots.
  - **Integrated Locking/Latching Hardware:** Exit Devices, Lever Handle Trim, or Flush Push/Pulls.
6. Door hardware may include the following optional products for each integrated door opening assembly as specified in the Door Hardware Sets under Part 3:
  - **Door Closers:** Surface Closer or Pocket Closer.
  - **Accessory Items:** Magnetic Holders, Protection Plates, Edge Guards, Astragals, Smoke Seals.



ASSA ABLOY

FOR INFORMATION CALL 800.872.3267  
OR VISIT RITEDOOR.COM

# SECTION 081700

## PART 2 – PRODUCTS

### 2.3 FINISH REQUIREMENTS

#### Standard

- Designations used in the Hardware Sets and elsewhere indicate hardware finishes complying with ANSI/BHMA A156.18, including coordination with traditional U.S. finishes indicated by certain manufacturers for their products.
- Provide quality of finish, including thickness of plating or coating (if any), composition, hardness, and other qualities complying with manufacturer's standards, but in no case less than specified by referenced standards for the applicable units of hardware.

#### Antimicrobial Finishes

- Where specified, finishes on doors, frames, and hardware to incorporate an FDA recognized Silver Ion, antimicrobial coating (MicroShield™) listed for use on equipment as a suppressant to the growth and spread of a broad range of bacteria, algae, fungus, mold and mildew.

#### Finishes

##### Door Faces:

- Primed.
- Factory Pre-Finished.
- HPL – Plastic Laminate.

##### Frames:

- Primed.
- Factory Pre-Finished.

##### Hardware:

- As specified in Hardware Sets.



ASSA ABLOY

FOR INFORMATION CALL 800.872.3267  
OR VISIT RITEDOOR.COM

# OWNERS MANUAL

## OWNERS RECORD & LABELS

### WHAT THIS OWNER'S MANUAL CAN DO FOR YOU

- It explains exactly how The Rite Door® operates.
- It explains periodic maintenance requirements necessary to assure reliable operation.
- It explains simple things to do and check before you call for service, so you may save the cost of an unnecessary service call.
- It provides a complete listing of service replaceable parts.
- It provides your RITE Door Limited Warranty and what steps to take for service.

### OWNERS RECORD

- The model number is located on the hinge stile mounting base. Refer to this number and the additional information below when you call upon your local Rite Door® dealer regarding this product.

Model No: D3676/D8576/D3677/D3678

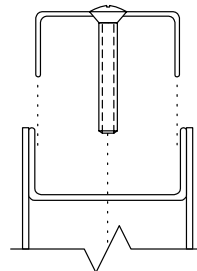
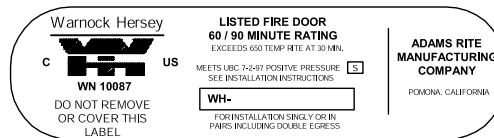
- Finish:
- Door Size:
- Hardware Supplier:
- Date Installed:

### EXIT DEVICE OPERATION

- The RITE Door® Top Rod Concealed Vertical Rod (CVR) device provides for life safety, security & fire containment by use of a rotating top latch and post type header strike. When the push bar is depressed, the top rod retracts to release the door. Upon closing, the top actuator deadlatches around the top strike post securing the door.

### FIRE DOOR LABELS, STRIKES AND FRAME SCREWS

- Fire Door Labels and other misc. hardware will be located in a removable channel located at the top of the door. This channel is secured by two Phillips head screws that can be easily removed. Please contact the factory immediately if this hardware can not be located.



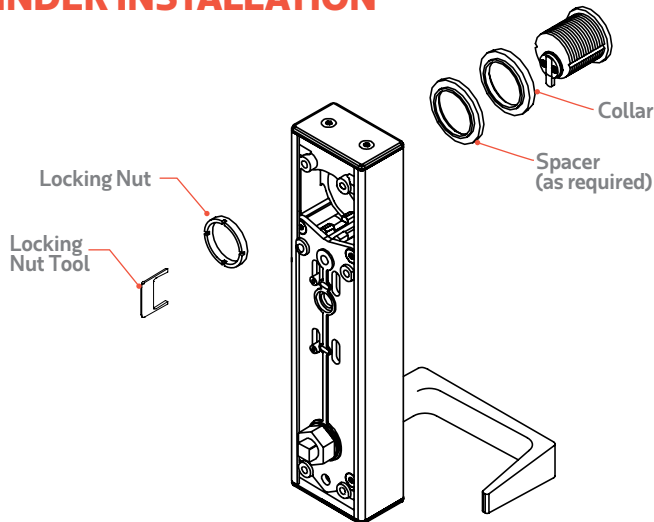
FOR INFORMATION CALL 800.872.3267 OR VISIT RITEDOOR.COM



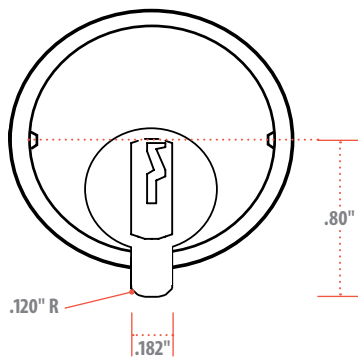
# OWNERS MANUAL

## CYLINDER INSTALL & OPERATION

### CYLINDER INSTALLATION



### DIMENSION OF CAM REQUIRED TO OPERATE TRIM

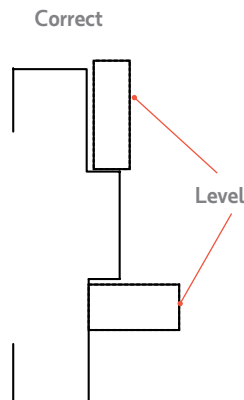
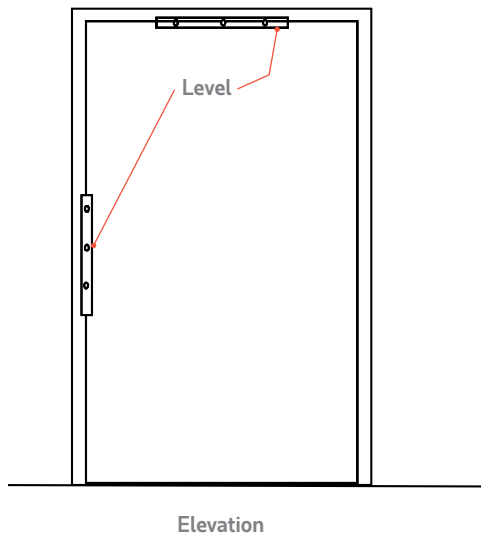


### ENTRY TRIM OPERATION

The 3080 series outside entry trim is an available option with The RITE Door®. The entry trim will activate the locking mechanism with any downward or upward motion of the lever handle.

The trim utilizes a clutching mechanism that protects the lever from forced entry or vandalism. The trim will accept any standard mortise cylinder (1" – 1 ½" long) with an MS cam if re-keying or new cylinders are required.

Spacer rings may be needed to accommodate longer cylinders. The number of spacers will vary depending on the length of cylinder being used. Maintenance of the trim will be discussed later in this manual.

OWNERS  
MANUALRECOMMENDED  
MAINTENANCERECOMMENDED  
MAINTENANCE

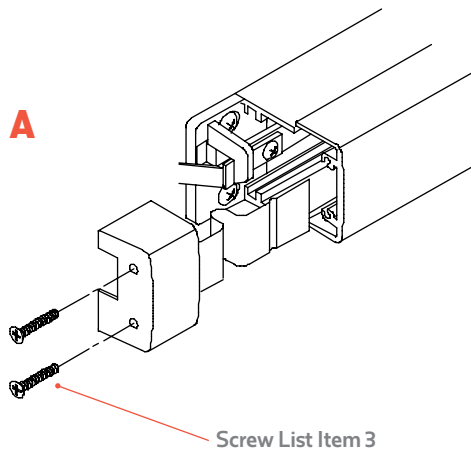
- Exit Devices are designed for life safety first. RITE Door devices are cycle tested in excess of one million cycles, both as prototypes during design and as quality samples during production. Atmospheric and other localized conditions may vary greatly, but extremely dirty, salty or abrasive situations could require service attention such as cleaning and lubrication of moving parts from time to time to assure reliability. Service personnel should be reminded that life safety is the goal.
- Some simple maintenance procedures can be taken to keep the exit device and trim in good working condition.
  - Maintaining the correct positioning and tightening of screws on top actuator.
  - Lubrication of top actuator from time to time with a high grade, lithium based grease. Moving parts inside the device and rods can also be sprayed annually with white silicone grease to assure reliability.
  - Tightening of pushbar and entry trim screws.
  - Tightening of end cap screws.
  - Tightening of top strike post.

*\*\*\* Please note that reliable RITE Door® operation is dependent upon the frame being square and plumb to function correctly. The diagram below will give you an idea of how to tell if your frame is set properly.*

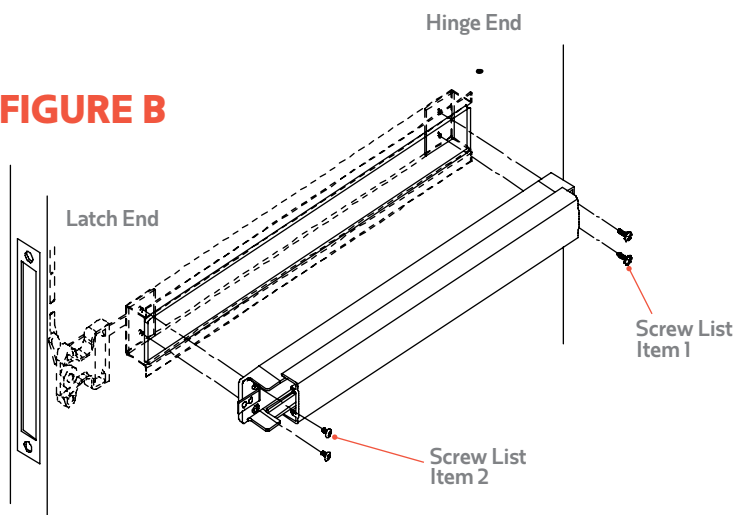
# OWNERS MANUAL

## END CAP & PUSHBAR

**FIGURE A**



**FIGURE B**



### END CAP AND PUSHBAR REMOVAL / REPLACEMENT

To facilitate maintenance procedures, the two end caps and pushbar can be removed.

1. **To begin**, open the door to 90°.
2. Manually trip the top actuator to the locked position so pushbar is extended.
3. Instructions to remove the Push Bar. Using a small toll that will fit through  $\varnothing .125$  hole in push bar, press lever inside exit device to release push bar.
4. Remove end caps by removing the two black screws that secure each end cap. (Figure A) The latch side end cap will have a piece of metal attached that works as a stop. Remove carefully to avoid breaking.
5. For pushbar removal follow the steps above then remove the four mounting screws, two on each end of the back bar. (Figure B) This will allow you to slide the pushbar towards the hinges until the lead edge is clear of the scissor mechanism.
6. Then slide the pushbar back toward the locking edge to clear the remaining scissor.
7. **NOTE** when reattaching the pushbar that the stop plate on the inside of the pushbar should be located closer to the latch side of the door.
8. Be sure to tighten the four mounting screws on the backbar after installing pushbar.

OWNERS  
MANUAL

## TOP ACTUATOR

FIGURE A

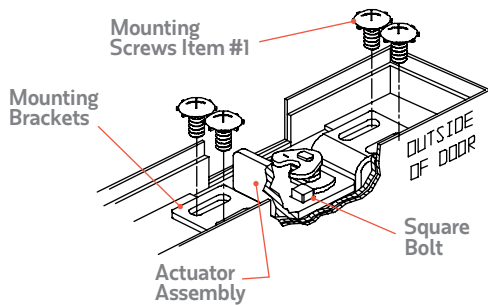


FIGURE B

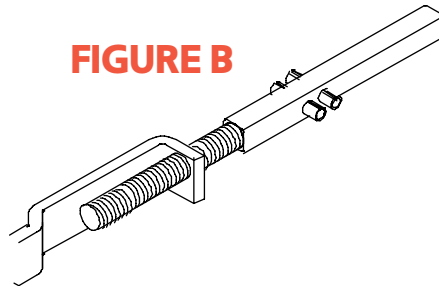


FIGURE C

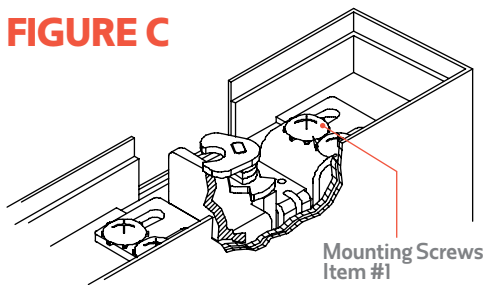
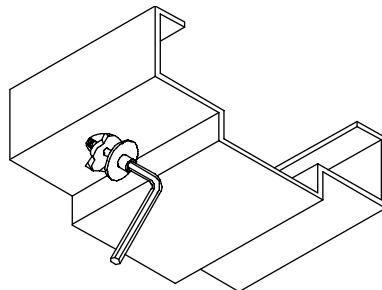


FIGURE D

TOP ACTUATOR OPERATION  
& TOP STRIKE POSITIONING

Proper operation of this device relies heavily on the correct adjustment of the top actuator.

- The strike is designed to be operated with a minimum of 1/16" between top of door and frame.
- The diagram (Figure A) shows the correct relationship of the square bolt to the top actuator.
- The square bolt must be flush with the stop plate. There are four #10-32 x 1/2" Phillips head screws that are in slotted holes in the top channel of the door that keep the actuator secured. These will have to be removed to adjust the square bolt.
- The square bolt can be adjusted up or down (CW to lower - CCW to raise) so that it is flush with the stop plate. Be sure that the square bolt is not too high, as this will cause the actuator to rock in the channel.
- The pins in the square bolt (Figure B) must be turned in the proper direction to fit through the slot in actuator. After the square bolt has been adjusted, hand tighten the four mounting screws.
- (Figure D) Tip the strike post into the hole and hand tighten. Depress the pushbar to open the top latch actuator.
- Position the top strike so that it is centered on the hole cutout.
- Slowly close the door so that the top actuator and strike engage. This technique will self align the components.
- Depress the pushbar and open the door slowly. Tighten the top strike post with the Allen wrench and also secure the top actuator by tightening the four mounting screws (Figure C).
- The top strike must be properly located, and tightened securely, for the device to operate correctly. \*\*A minimum 1/16" between top of door and frame is required.



ASSA ABLOY

FOR INFORMATION CALL 800.872.3267  
OR VISIT RITEDOOR.COM

FIGURE A

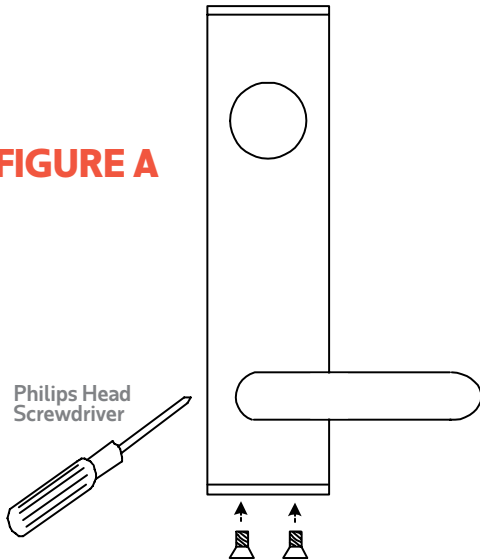
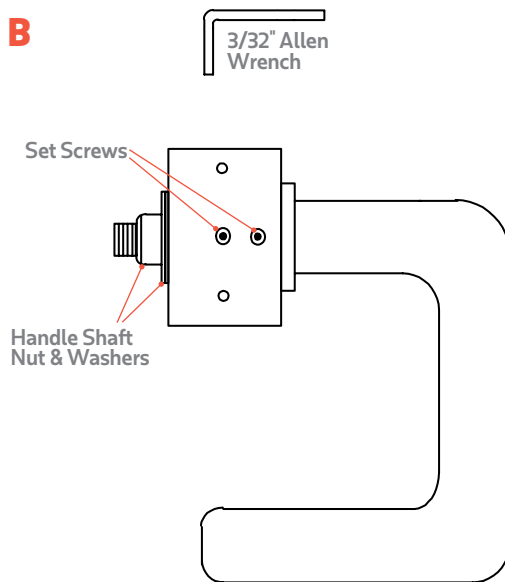


FIGURE B



## ENTRY TRIM MAINTENANCE

The entry trim screws mounted on the interior of the door should be checked to assure tightness. The diagrams on the following page (Figure C) will show how to locate the screws. A detailed parts list is also included for your convenience.

- A heavily scratched handle or escutcheon can be removed and replaced if necessary. Here are the directions on how to change each.

## CHANGING 3080 SERIES ESCUTCHEON OR HANDLES

### Step 1

- Turn the lever handle into position shown in Figure A.
- Remove the two flat Phillips head screws on the bottom escutcheon plate using a Phillips head screwdriver.
- Remove bottom escutcheon plate.

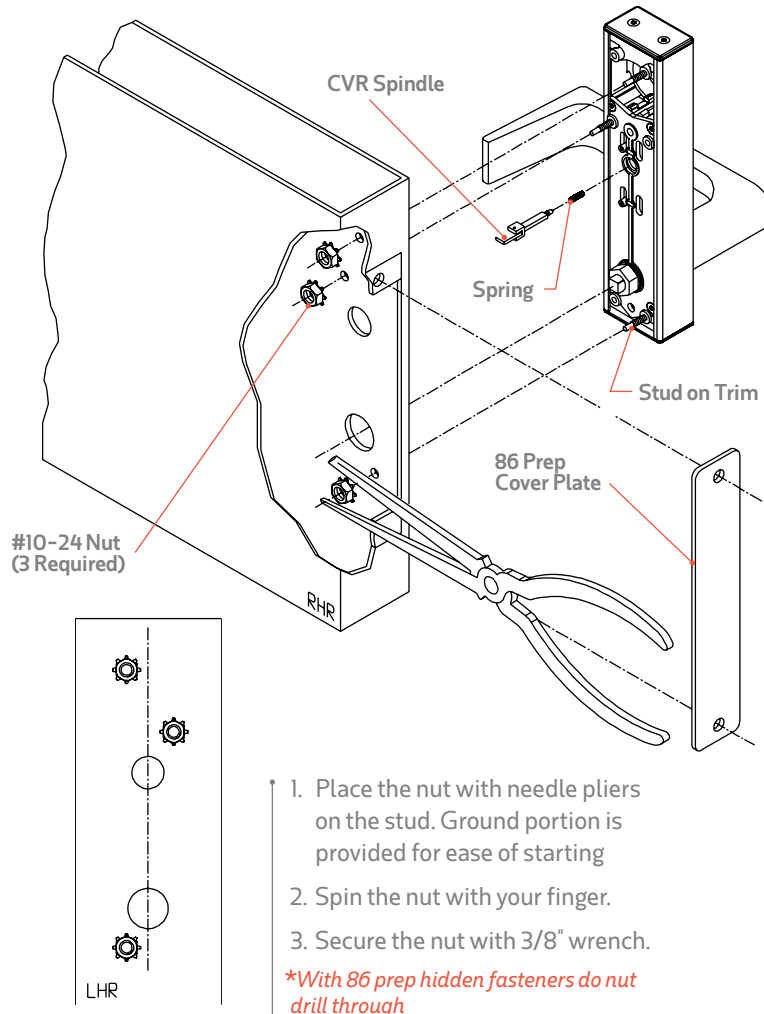
### Step 2

- On the bottom of the trim, loosen the two set screws (**TWO TURNS MAXIMUM!**) with the 3/32" Allen wrench provided.
- Remove the handle shaft nut and two washers shown in Figure B.
- Remove handle from escutcheon assembly.
- If handle only is being replaced move onto Step 3.
- Remove and replace escutcheon.

### Step 3

- Replace lever and install washers and handle shaft nut. (**DO NOT OVER TIGHTEN!**) Nut should be lightly tightened down then backed off ¼ turn until handle is operational.
- Tighten the two bottom set screws.
- Replace the bottom escutcheon plates and secure with the Phillips head screws.

FIGURE C



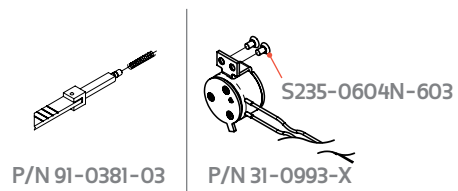
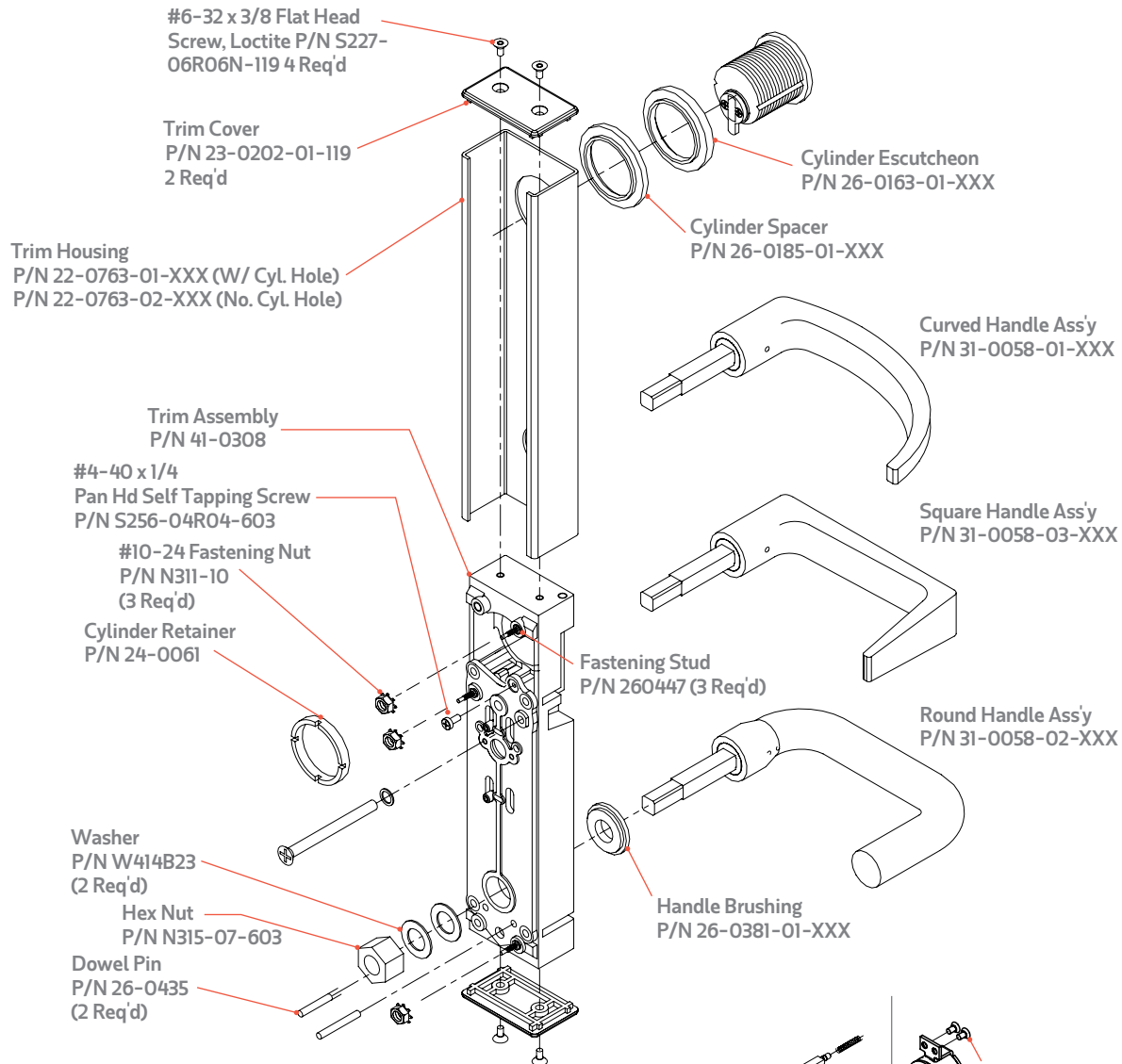
1. Place the nut with needle pliers on the stud. Ground portion is provided for ease of starting
2. Spin the nut with your finger.
3. Secure the nut with 3/8" wrench.

*\*With 86 prep hidden fasteners do not drill through*

**ENTRY TRIM CONT.**

- The entry trim utilizes a clutching mechanism that protects the handle from vandalism or forced entry.
- If the handle has been forced into the clutch position one or both of the 1/8" dia x 1" rotation limiting pins, located below the handle lock nut, may have to be replaced. This can be done by simply removing the trim from the door and replacing the pins.
- When reattaching the trim make sure the trim spindle engages the device before tightening nuts.
- You will find a detailed parts breakdown of the entry trim on the following page for your convenience. (Figure D).
- The internal components of the trim are under extremely high pressure and should not be tampered with.
- The warranty will be voided if the seal on back of the trim has been broken.

FIGURE D

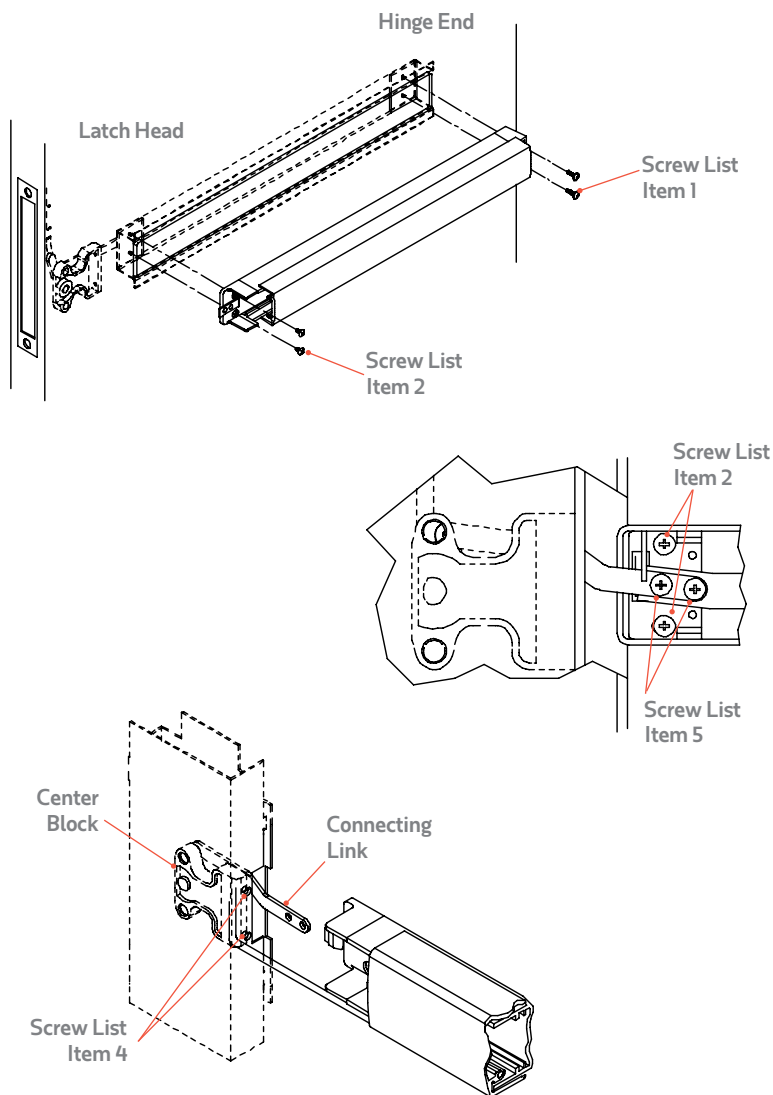


**D3081/D3082/D3083**  
**Entry Trim**  
**Replacement Parts List**

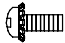


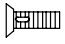



FOR INFORMATION CALL 800.872.3267  
 OR VISIT RITEDOOR.COM

MAINTENANCE OF TOP ROD ASSEMBLY DIAGRAM



SCREW LIST

- 1  #10-32 x 1/2" Sems Screw (6 Req'd) S277-10R08-603
- 2  #10-32 x 3/8" Sems Screw (2 Req'd) S277-10R06N-603
- 3  #10-32 x 1-7/8" Flat Head (4 Req'd) S258-10R23-119
- 4  #10-32 x 1/2" Flat Head (2 Req'd) S266-10R06-603
- 5  #10-32 x 1/4" Sems Screw (2 Req'd) S277-10R04N-603



FOR INFORMATION CALL 800.872.3267 OR VISIT RITEDOOR.COM



# OWNERS MANUAL

## TOP ROD

### MAINTENANCE OF TOP ROD ASSEMBLY

**Annually** apply a small amount of high grade lithium based commercial grease to the top of the square bolt at the top of the door.

#### In unusually dirty situations

- A small amount of spray lubricant can be applied to the center gear mechanism by removing the edge plate on the edge of the door.

#### To replace the rod mechanism

- It will not be necessary to take the door down if it is less than 8' tall.
- For taller doors it will most likely be necessary to take the door out of the frame.

#### To remove the top rod assembly

1. Remove the cover plate from the locking edge of the door.
2. Remove the lever trim.
3. Remove both end caps and push bar from the device.
4. Remove the two sem screws from the link arm.
5. Holding the rod assembly through the access hole in the door edge, remove the two screws from the edge of the panic bar cutout and pull the top rod assembly out through the access hole.

#### To replace

1. Remove the top latch assembly from the top edge of the door by removing the four screws.
2. Adjust the new rod length as the old rod, making sure the top square bolt is threaded about half way giving you optimum adjustment.
3. With the rod at the correct length, screw the cap head screw all the way through the rod.
4. Push the rod assembly up through the access hole making sure the trim adapter is facing the pull side of the door.
5. Pull the link arm through to the exit device cutout. Push the gear assembly up to the edge of the push bar cutout and screw into place. The link arm goes over the slide arm of the exit device, and then replace the sems screws.
6. Replace the top latch over the square bolt making sure pins in the square bolt are oriented to the slot in the top assembly as outlined in the top actuator section

# LIMITED WARRANTY

## RITE DOOR® LIMITED WARRANTY

Products sold by Hanchett Entry Systems, Inc., under the RITE Door® brand in the United States of America are warranted free from defects in the workmanship and materials under normal use and service.

This warranty does not cover defects or damage arising from improper installation, lack of or improper maintenance, improper storage, improper handling, corrosion, erosion, ordinary wear and tear, misuse, abuse, accident, unauthorized service or use with unauthorized RITE Door® products or parts.

This warranty is void if any modifications are made to the product, regardless of whether the modification causes or

contributes to the alleged defect. All modifications are made at the risk of the party making the modification.

Should any defect of manufacture (in material or workmanship) occur in its products, RITE Door®, upon prompt notifications and satisfaction that the product was defective in manufacture for the use intended will, at its option, exchange the product, repair the product and/or refund the price charged FOB factory within the stated time frame listed below.

### Hardware

\*All mechanical products for five (5) years from date of manufacture. (Exit Devices.)

\*Hinges – up to twenty-five (25) years based on the model and manufacture of the hinge.

\*Closers – up to twenty-five (25) years based on the model and manufacture of the closer.

\*All electrical products for three (3) years from date of manufacture with the exception of exit devices with the SE option.

\*Exit devices with the SE option for one (1) year from date of manufacture. RITE Door® recommends that for optimal performance all exit devices with the SE option are installed and powered using PS-SE power supplies. Installing SE exit devices with PS-SE power supplies extends the warranty to five (5) years from date of manufacture.

### Doors

- This warranty is applicable for the life of original installation of the door and covers both metal and wood type doors with the exception of (HPL) High Pressure Laminate Doors, which will have a maximum warranty of two (2) years.

### For Wood Doors only

#### Telegraph and Warp

- Warp is any distortion in the door itself and does not refer to the relationship of the door to the frame or jamb in which it is hung; it includes bow (curvature along the length of the door), cup (curvature along the width of the door), and twist (one or two corners are out of plane with the other corners of the door).
- Warp shall be measured by placing a straight-edge, taut wire, or string on the suspected concave face of the door (vertically, horizontally, or diagonally), with the door in its installed position. The measurement of the warp shall be made at the point of maximum distance between the bottom of the straight-edge, taut wire, or string and the face of the door. Warp shall not be considered outside of allowable tolerances unless it exceeds 1/4" in any 3'6" x 7'0" section of the door.
- Stile, rail and core show-through (Telegraphing) on flush doors shall not be warrantable unless it exceeds 0.010" in any 3" span.
- Warp and Telegraph shall not be warranted in any event if the door is not treated in a manner consistent with the "Storage, Handling, Finishing, Installation and Maintenance Instructions" on the reverse side of this warranty.
- Action on any claim for Warp or Telegraph after installation may be deferred, at the option of RITE Door®, for a period of 12 months from the date of complaint to allow for acclimation to surroundings.



ASSA ABLOY

FOR INFORMATION CALL 800.872.3267  
OR VISIT RITEDOOR.COM

# LIMITED WARRANTY

## ALLOWABLE TOLERANCES

### Sizing

- Height:  $\pm 1/16$ "
- Thickness:  $\pm 1/16$ "
- Width (Not Prefit):  $\pm 1/16$ "
- Width (Factory Prefit):  $\pm 1/32$ "

### Hardware Preparation

- Hinge Mortise and Lock Front Location:  $\pm 1/32$ "
- Lock Front Height and Width:  $+1/32$ ",  $-0$ "
- Hinge Mortise Height:  $+1/32$ ",  $-0$ "
- Hinge Mortise Backset:  $+0$ ",  $-1/32$ "
- Hinge Mortise and Lock Front Depth:  $+0.025$ ",  $-0$ "
- Squareness: Diagonal measurement difference not to exceed  $1/8$ ".

## MATTERS EXCLUDED FROM WOOD DOOR WARRANTY

1. Unsatisfactory door function or appearance caused by failure to follow the "Storage, Handling, Finishing, Installation and Maintenance Instructions" on the reverse side of this warranty.
2. Appearance of field finished doors
3. Natural variations in the color, texture, character, or cut of the wood.
4. Door with cutouts that 1] have an edge within 5 inches of door edge, 2] have an edge within 5 inches ( $3-5/16$ " on non-rated and 20 minute doors) of another cutout (including hardware cutouts), 3] have an area exceeding 40% of the door face area, or 4] have a height exceeding 50% of the door height (exception: Engineered Composite core door with cutout). Existing Door openings not meeting applicable fire door requirements as stated by Intertek.
5. Warp, if it occurs when 1]  $1\ 3/8$ " thick door is larger than 3070, 2] face veneers are of differing species, or 3] door is finished/painted differently on each face of the door.
6. Door used in an exterior application, or an interior door with differing temperature and/or humidity on opposing side of door.
7. Door improperly installed or hung in a frame that is not plumb, square, and level, and/or doesn't allow the door to swing freely.
8. Normal wear and tear, including wear-through of finish or deterioration for reasons other than material and workmanship of the door itself.
9. Door with hardware that is not compatible for the particular door construction.



FOR INFORMATION CALL 800.872.3267  
OR VISIT RITEDOOR.COM

# LIMITED WARRANTY

## GENERAL WARRANTY REPLACEMENTS

Product repair or replacement or associated charges, will not be accepted under this warranty unless prior authorization from RITE Door® has been given. RITE Door® will determine whether the product qualifies for repair or replacement under this warranty. RITE Door® has no liability to pay any costs of repair performed by anyone other than qualified personnel authorized by RITE Door® prior to the work being done. Prior to the work being authorized, a quote for labor charges to remove, replace and reinstall the product must be submitted for approval.

Written notice of product or component part believed to be defective as covered by this warranty should be sent within 90 days of receipt of goods to:

**RITE Door®**  
10027 S. 51st Street, Suite 102  
Phoenix, AZ. 85044

Or

A Customer Service contact email address found at [www.RITEdoor.com](http://www.RITEdoor.com) under the "CONTACT US" tab. To reach customer service by phone, please call 800-872-3267.

*Please have the Distributor Name, Project Name, Purchase Order# and Door Tag ID for the defective product available upon request.*

## CANCELLATION

As an industry leader, RITE Door® is committed to maintaining the highest standard of quality and ensuring strict compliance to industry codes. RITE Door® takes pride in customer service, quick response times and the ability to work with meeting our customers' needs. These needs may include special order products or product modifications. Please be advised that all special order products or product modifications require special authorization to ensure the order fully meets the customers' expectations. Customers are asked to allow for an extended lead time on all orders that do not meet our standard product offering. Please note that special order product or product modifications cannot be changed, modified or cancelled after an order acknowledgment has been issued by RITE Door®.

RITE Door® takes pride in introducing new, industry-relevant, feature-rich products. Since new solutions will surpass the capabilities of older product lines, historical products may be subsequently discontinued. Every effort will be made to announce new product introductions as well as product discontinuations in a manner that allows customers advance notice of these events. Repair services and spare parts for discontinued product parts will be available for a reasonable time period. RITE Door® reserves the right to replace discontinued product with an equivalent product as determined by RITE Door®.

THIS WARRANTY IS IN LIEU OF ALL OTHER EXPRESS WARRANTIES. ALL IMPLIED WARRANTIES ARE LIMITED TO THE DURATION OF THIS WARRANTY. RITE DOOR® IS A BRAND NAME OF HANCHETT ENTRY SYSTEMS, INC. HANCHETT ENTRY SYSTEMS, INC. SHALL NOT BE LIABLE FOR ANY INCIDENTAL OR CONSEQUENTIAL DAMAGES. SOME STATES DO NOT ALLOW LIMITATIONS ON HOW LONG AN IMPLIED WARRANTY LASTS OR THE EXCLUSION OF LIMITATIONS OF INCIDENTAL OR CONSEQUENTIAL DAMAGES, SO THE ABOVE LIMITATIONS OR EXCLUSIONS MAY NOT APPLY TO YOU. THIS WARRANTY GIVE YOU SPECIFIC LEGAL RIGHTS, AND YOU MAY ALSO HAVE OTHER RIGHTS WHICH VARY FROM STATE TO STATE.

### Keep and fill out for warranty information:

Customer: \_\_\_\_\_

Job Name: \_\_\_\_\_

Sales Order#: \_\_\_\_\_

PO#: \_\_\_\_\_

INV#: \_\_\_\_\_

Date: \_\_\_\_\_



FOR INFORMATION CALL 800.872.3267  
OR VISIT RITEDOOR.COM